

# Wiser™

Smart and Sustainable Homes



# Wiser™

Technical Catalogue

[pdl.co.nz/wiser](http://pdl.co.nz/wiser)

Life Is On

**Schneider**  
Electric

# Contents

- Overview ..... p. 3
  - Simple and Scalable ..... p. 3
  - Wiser™ Puts Your Customer In Control ..... p. 4
  - Wiser System Architecture ..... p. 5
  - Iconic Connected Solutions ..... p. 7
  
- Technical Characteristics ..... p. 8
  - Wiser Hub ..... p. 8
  - Wiser Control Devices ..... p. 10
  - Wiser Sensors ..... p. 11
  - Wiser IP Camera ..... p. 16
  - Wiser Micro Modules ..... p. 18
  - Iconic Connected Devices ..... p. 21
  - Switched Socket ..... p. 25
  
- Commercial Reference Numbers ..... p. 26
- Wiser by SE App – Commissioning Guide.. p. 27
- Wiser Home - Handover Guide..... p. 28
- Wiser System Installation Guide ..... p. 29
- Wiser with Iconic ..... p. 30
- Upgrade to ‘Skinability’ ..... p. 30
- Green Premium™..... p. 31



As a smart home solution, you can configure and expand to suit any customer’s need, PDL Wiser™ gives you full flexibility.

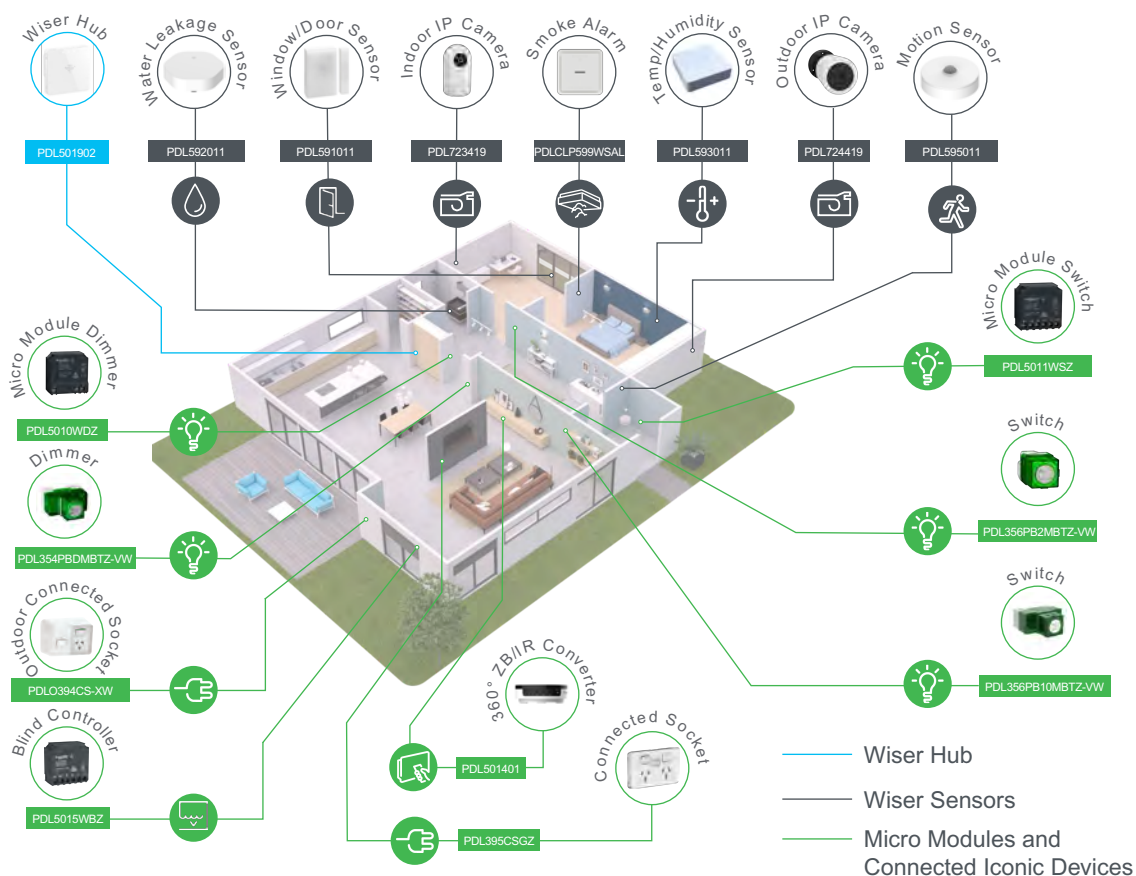
Be at the forefront of your next smart home installation with PDL Wiser, a product that combines local Australian know-how with Schneider Electric’s unrivalled global R&D and extensive smart home expertise. This smart home system utilises multi-award-winning designs and is incredibly powerful, yet straightforward for a skilled electrician to install. Best of all, a Wiser Smart Home solution can be upgraded with modular components as your customer’s needs change.

Plus your customers can integrate third-party devices like smart speakers for voice control, along with all products from the PDL Iconic range, so their Wiser Smart Home can grow with them.

Take your smart home business to the next level and discover the full range of solutions here.

# Simple and Scalable

The Wiser™ system provides a convenient and flexible solution for controlling home devices.



## Wiser Hub

The Wiser Hub is the centre of the system, processing control requests and status reports for connected devices. With a personal account and the Wiser by SE app on a mobile phone, users can control the Wiser devices in their home from any location where the internet is available.

## Devices

A range of devices is available to provide convenient control of:

- Room Lighting
- Blind and Shutter
- Air Conditioning and TV/AV equipment
- Energy Management
- Appliances and Garage door/gates

Sensors are also available to record and report the following:

- Motion detection
- Ambient light level
- Window/door open or closed
- Temperature and humidity
- Water leakage
- Smoke detection

# Wiser Puts Your Customer In Control

Combine the settings of one or more devices to form a scene that can be operated manually with just a tap, or automatically when one or more conditions are met.

## Moments

### Activate pre-set scenes with just a tap

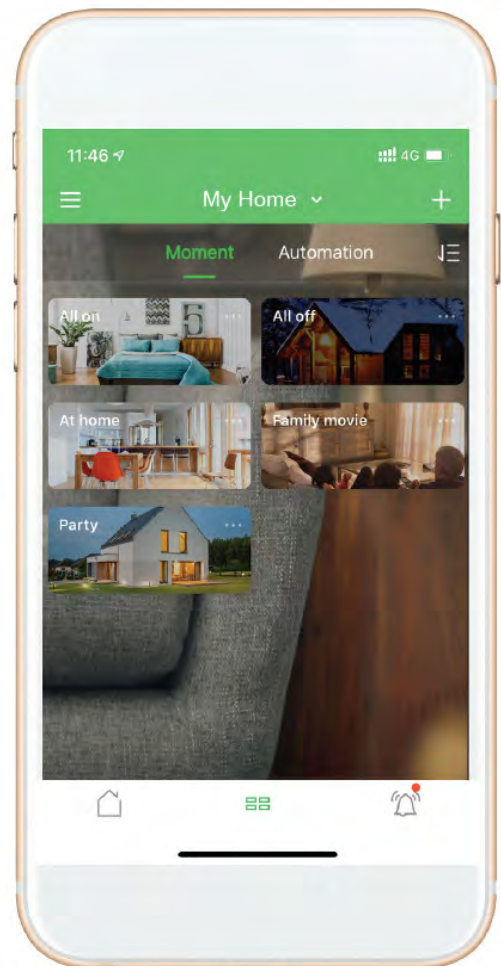
Home owners operate shutters and lighting remotely with the app, or locally with voice assistants. This enables you to add value to your service, because you can set all of this up for them, create moments, or show them how to make the most of their system.

Moments can be set up for all kinds of scenarios in the home. These are great for dinner parties, having friends over for movie nights, or just winding down. Moments are a simple way to save favorite settings for lighting, shade, and temperature in any room.

## Automations

### Set and forget schedules to match your daily routine

True home automation is when a Moment happens exactly when it's supposed to. With pre-set conditions, in other words. For example, the air conditioning can be set up to stop when a window opens. Lights can be set to switch OFF when no motion is sensed, for example, for a specific period of time or in a particular room defined by the user in the Wiser by SE app. The system can activate an 'Evening' Moment when the sun sets, a 'Welcome Home' Moment when the front door opens, or at pretty much any time that suits your customer's lifestyle.



# Wiser System Architecture

Wiser solutions use connected devices which leverage BLE or Zigbee technology, making them flexible and scalable.

## Bluetooth Low Energy



BLE (Bluetooth Low Energy) provides a fundamental in-room point-to-point app control from your customer's smart device to an Iconic connected switch, dimmer, and/or connected socket. BLE connection does not require a hub and only connects on demand, meaning it uses minimal energy.

BLE technology is available in the Iconic connected switches, dimmers, and sockets.



Connected Socket



2 AX switch



10 AX switch



Dimmer

## Zigbee Mesh System

Zigbee is an international wireless standard that allows broad-based preparation of wireless networks which are cost-effective and offer low-power solutions.



- Zigbee is a mesh network topology meaning that there are alternative paths for the information to go between two nodes in the network.
- Zigbee devices consume very little power and offer a very long battery life.
- Zigbee devices operate in networks, with paths spanning between 10 and 100 meters. (Range may be impacted by environment).

Mains powered Zigbee devices like Switches, Micro Modules, and Sockets act as signal repeaters or routing nodes, relaying the information sent by other devices and increasing coverage.

A Zigbee mesh network also has the following characteristics:

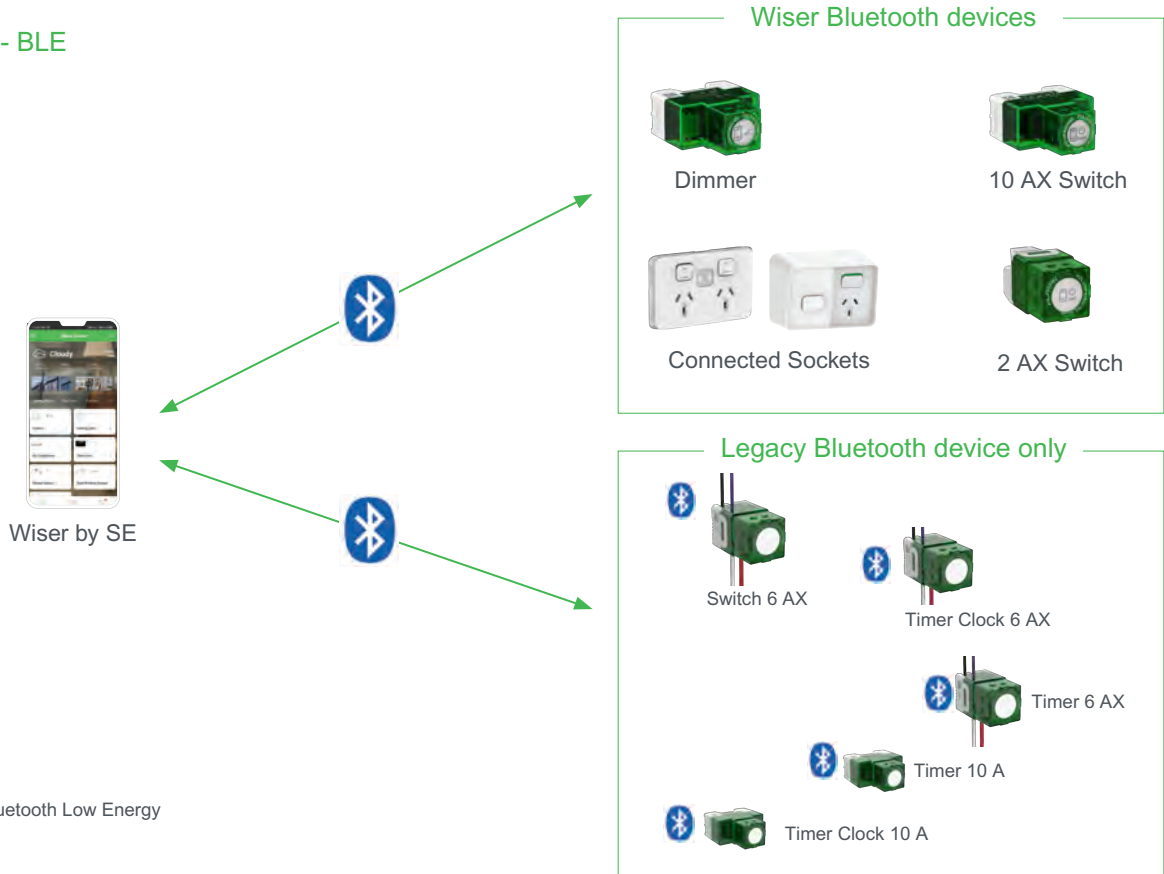
- Full redundancy for routing nodes
- Self-configuring
- Spontaneous re-routing when one or more links are down
- Spontaneous re-routing in cases of traffic congestion

### Zigbee Mesh network example

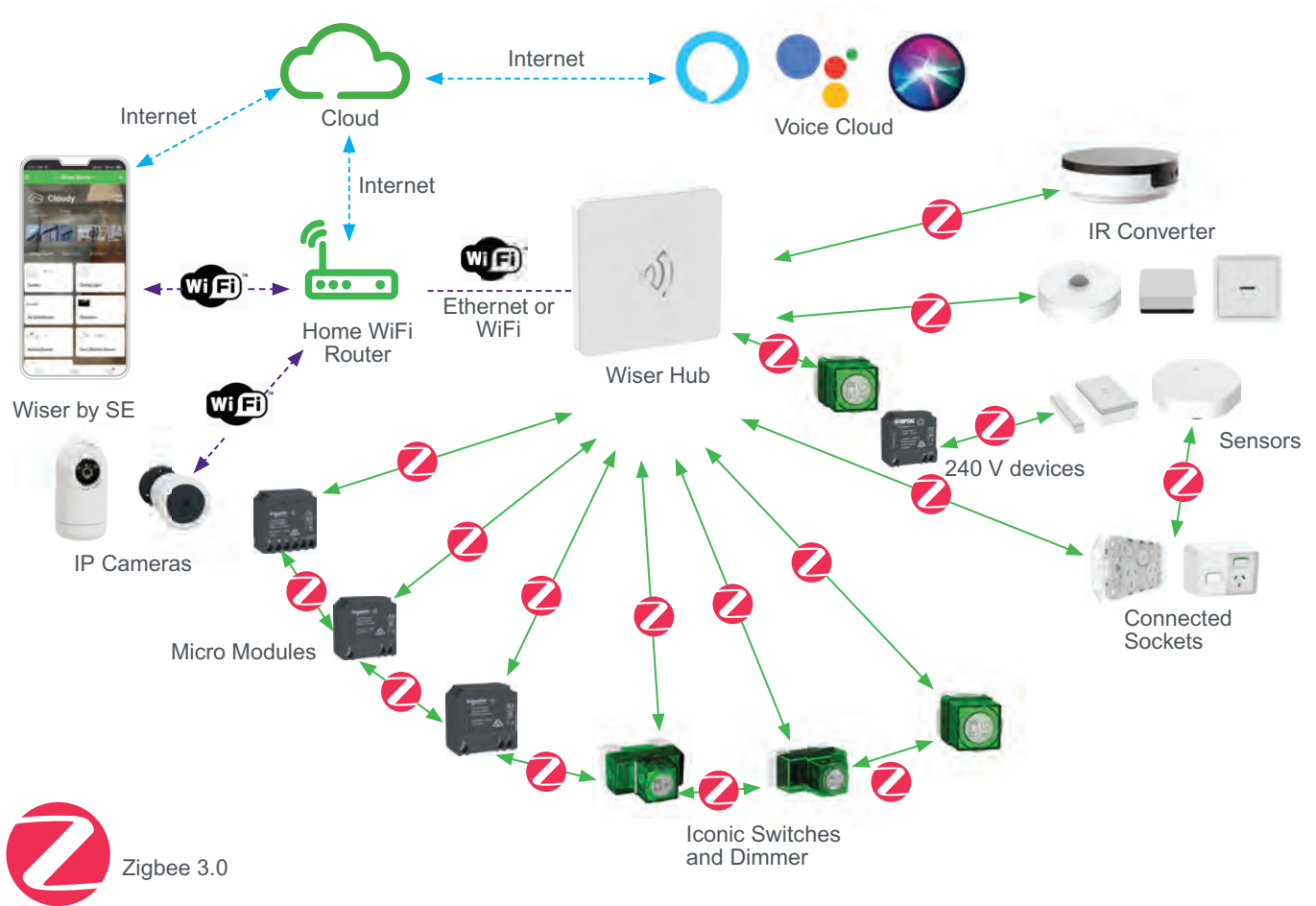


# Wiser network topology

## Room control - BLE



## Home Control – Zigbee system



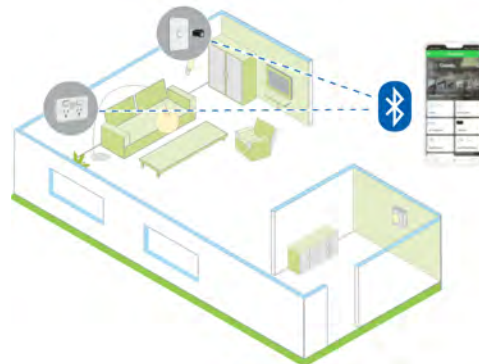
# Iconic Connected Solutions

## Scalable, from one switch to an entire home.

The Iconic connected switches, dimmers, and sockets leverage both BLE (Bluetooth Low Energy) and Zigbee technology, making them ultra-flexible and scalable. Iconic connected devices in BLE default mode can be swapped to Zigbee mode after installation to allow the smart home to evolve over time with the changing needs of the end user.

### Room control - BLE

Use the Wiser by SE app to set timers, schedules, or specific device features by pairing your smartphone to an Iconic connected device in BLE mode. When in the room, the end user can switch loads and dim lights through the Wiser by SE app or directly via the wall-mount switch. The Wiser Hub is not required.



### Iconic connected devices (BLE default)

-  PDL356PB2MBTW-VW
-  PDL356PB10MBTW-VW
-  PDL354PBDMBTW-VW
-  PDL395CSG
-  PDLO394CS-XW
-  PDLO394CS-BK

### A clever combination of function and style


Iconic connected devices are supplied as a module or grid only, so that you can choose skins to match the end user's preferred style and colour.

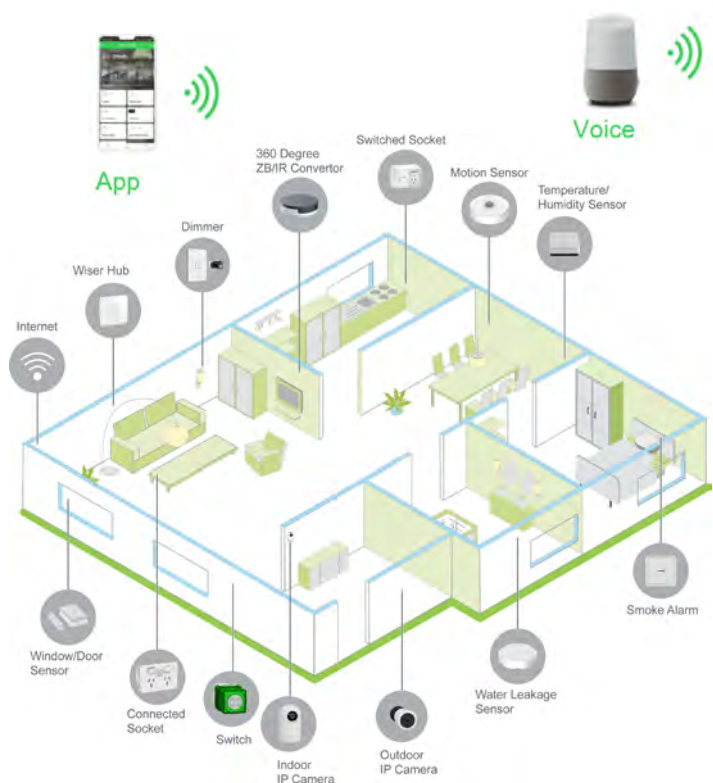
Skins must be ordered separately.  
(excludes the PDLO394CS-XW and PDLO394CS-BK)

### Home control - Zigbee System

For an advanced smart home experience, Iconic connected devices in Zigbee mode can interact with other Wiser devices that are connected to the Wiser Hub. This allows the end user to benefit from the full feature set provided by the Wiser system, including Moments, sensor-triggered actions, remote access to the home, and voice control. The user is still able to control loads via the wall-mounted switches or the Wiser by SE app. See the Wiser System User Guide for more details.

### Iconic connected devices (Zigbee default)

-  PDL356PB2MBTZ-VW
-  PDL356PB10MBTZ-VW
-  PDL354PBDMBTZ-VW
-  PDL395CSGZ



# Technical Characteristics

## Wiser™ Hub



Download  
**Wiser by SE app**



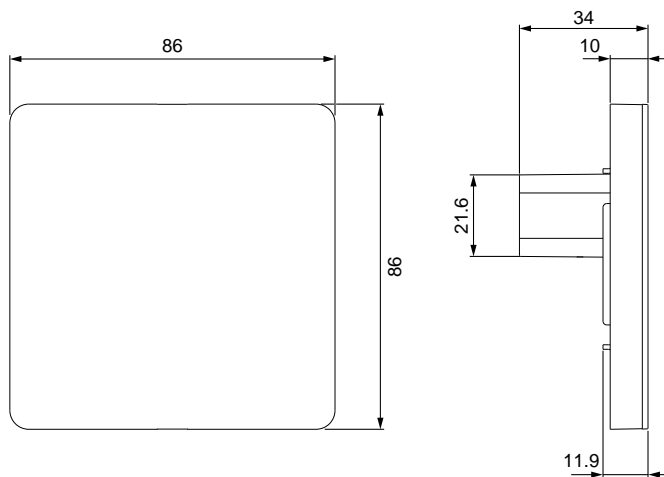
The Wiser Hub is the Wiser system communication interface, enabling you to easily manage your home environment. It connects Wiser devices and enables communication between one or more devices and a smartphone via the Wiser by SE app. The hub also allows you to control your home from a remote location. The hub can be placed on a table using the optional table stand or mounted on the wall using screws as hooks.



### Wiser Hub

| Identification  |   |
|---|---|
| Commercial reference  | <b>PDL501902</b>  |
| Product or component type   | Zigbee to IP network hub  |
| Product colour  | White   |
| Power   |   |
| Power supply  | AC adaptor (included) or 12 VDC/0.5 A power supply through 2-pin terminal block (not included)  |
| Connector type  | Micro USB port for the AC adaptor / 2-pin terminal block for cable 0.25 mm <sup>2</sup> to 1.50 mm <sup>2</sup>   |
| Nominal power for AC adaptor  | 100-240 V AC, 50/60 Hz  |
| System clock  | RTC function non replaceable battery  |
| Communication   |   |
| Ethernet  | IEEE802.3, 10/100 base-T (LAN)  |
| WiFi®   | 2.4 GHz, IEEE802.11 b/g/n   |
| Zigbee  | 2.4 GHz, IEEE802.15.4 compliant   |
| Environment   |   |
| IP degree   | IP20  |
| Operating temperature   | 0 °C to 40 °C   |
| Operating humidity  | 10 % to 90 % RH, non-condensing   |
| Installation  |   |
| Dimensions (H x W x D)  | 86 x 86 x 34 mm   |
| Installation method   | The device can be installed directly on the wall using mounting screws, or on a table using the separately available Wiser Hub Table Stand PDL501902_0001 |
| Package content   | Hub, screws and wall plugs, AC adaptor, 2-pin plug, AC adaptor USB cable  |
| Certification   |   |
| Zigbee®   | Zigbee 3.0  |
| Additional information  |   |
| <ul style="list-style-type: none"> <li>Monitors and controls Wiser Zigbee devices through the Wiser by SE app, Ethernet or WiFi®.</li> <li>Through the Wiser by SE app, you can create Moments or Automations to operate Wiser Zigbee devices and Iconic connected devices in Zigbee mode.</li> </ul> |   |

### Dimensions (mm)



**Note:**  
Download the Wiser by SE app to your smartphone, and install the Wiser Hub to configure and control Wiser devices. You can use the app to pair, set up and control Wiser devices. The Wiser by SE app is available in the App stores for smartphones supporting operating systems Android™ OS (version 7 and above) or Apple® iOS (version 11 and above).

For more detailed information, refer to the on-line system user guide. Scan the QR code or follow the link: <https://www.productinfo.schneider-electric.com/pdl/>





# Technical Characteristics

## Wiser Hub



Download

Wiser by SE app



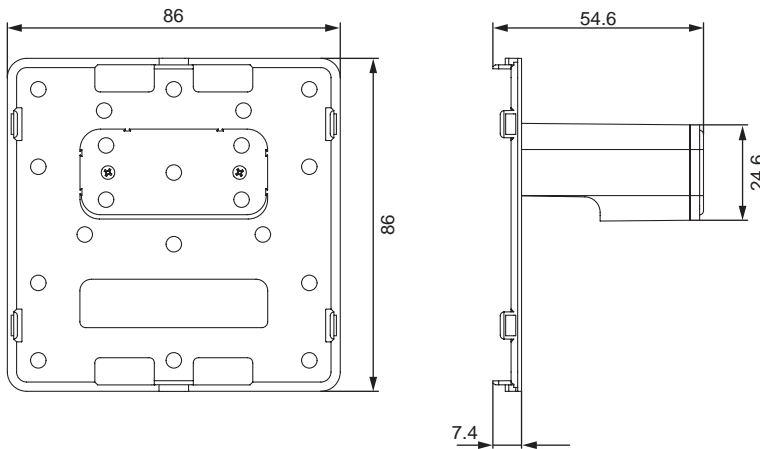
The Wiser Hub Table Stand is an optional stand for placing the Wiser Hub on a table or other flat surface.



### Wiser Hub Table Stand

| Identification            |   |
|---------------------------|---|
| Commercial reference      | PDL501902_0001                          |
| Product or component type | Docking kit                             |
| Product colour            | White                                   |
| Environment               |   |
| Operating temperature     | -10 °C to 45 °C                         |
| Relative humidity         | 10 % to 95 %                            |
| Installation              |   |
| Dimensions (H x W x D)    | 86 x 86 x 54.6 mm                       |
| Installation method       | Attach Wiser Hub and place on table top |

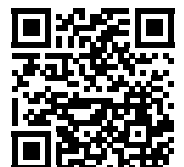
### Dimensions (mm)



#### Note:

Download the Wiser by SE app to your smartphone, and install the Wiser Hub to configure and control Wiser devices. You can use the app to pair, set up and control Wiser devices. The Wiser by SE app is available in the App stores for smartphones supporting operating systems Android™ OS (version 7 and above) or Apple® iOS (version 11 and above).

For more detailed information, refer to the on-line system user guide. Scan the QR code or follow the link: <https://www.productinfo.schneider-electric.com/pdl/>



# Technical Characteristics

## Wiser Control Devices



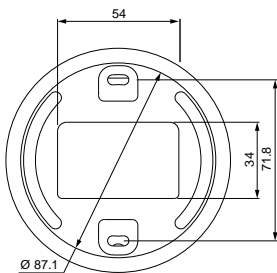
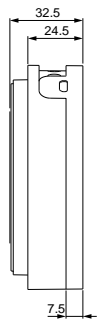
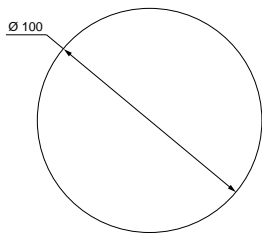
Download  
Wiser by SE app



The Wiser IR Converter controls TVs, split air conditioners and HiFi systems via the Wiser by SE app using infrared (IR) technology. It can be mounted on the ceiling or placed on a table top. The device can be powered via either the Micro USB port (5 V DC up to 1 A), or 4 x AA Alkaline batteries. The Wiser IR Converter includes 3 IR ports to connect extendable IR emitter cables. The device also has an upgradeable IR database.

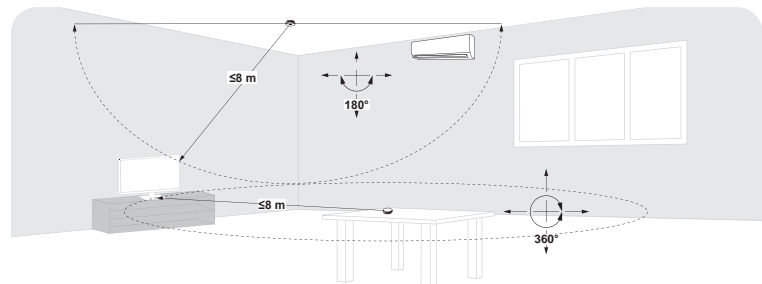


### Dimensions (mm)



### Wiser IR Converter

| Identification                             |  |
|--|--|
| Commercial reference                       | PDL501401  |
| Product or component type                  | IR Controller  |
| Product colour                             | Black and White  |
| Power                                      |  |
| Power delivery                             | AC adaptor (included in package) or 4 x AA Alkaline battery (not included in package)    |
| AC adaptor input                           | 100-240 V AC, 50/60 Hz   |
| AC adaptor output                          | 5.0 V DC, 1.0 A, 5.0 W   |
| AC adaptor connector type                  | Micro USB port   |
| Alkaline battery life                      | Up to 1 year (may vary based on the usage, frequency of firmware update and environment) |
| Communication interface                    |  |
| IR emitter energy                          | IEC825 compliant   |
| Zigbee®                                    | 2.4 GHz, IEEE802.15.4 compliant  |
| Operating frequency                        | 2405-2480 MHz (Zigbee)   |
| Max. radio frequency power Transmitted     | <10 mW (Zigbee)  |
| IR   |  |
| IR extension connector type                | 3 3.5 mm mono mini plug  |
| IR extension cable length                  | 5 m  |
| IR control range (with extension cable)    | 1 m (from emitter to the IR controlled device)   |
| IR control range (without extension cable) | ≤8 m (from Wiser IR Converter to IR controlled device)                                   |
| Environment                                |  |
| IP rating                                  | IP20   |
| Operating temperature                      | -10 °C to +45 °C   |
| Operating humidity                         | 10 % to 90 % RH, non-condensing  |
| Installation                               |  |
| Dimensions (Ø x D)                         | Ø100.0 mm x 32.5 mm  |



#### Note:

Download the Wiser by SE app to your smartphone, and install the Wiser Hub to configure and control Wiser devices. You can use the app to pair, set up and control Wiser devices. The Wiser by SE app is available in the App stores for smartphones supporting operating systems Android™ OS (version 7 and above) or Apple® iOS (version 11 and above).

For more detailed information, refer to the on-line system user guide. Scan the QR code or follow the link: <https://www.productinfo.schneider-electric.com/pdl/>



# Technical Characteristics

## Wiser Sensors



Download

Wiser by SE app



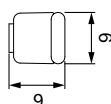
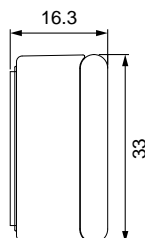
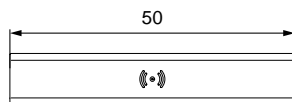
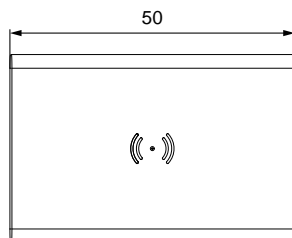
The Wiser Window/Door Sensor detects opened and closed windows and doors and reports the status to the Wiser Hub. It consists of two separate parts: a sensor and a magnet. The sensor includes a circuit which detects the magnet when it is in close proximity. When the sensor is connected to the Wiser Hub and the window/door is opened or closed, the sensor reports the change to the Wiser Hub.



### Wiser Window/Door Sensor

| Identification            |   |
|---------------------------|---|
| Commercial reference      | <b>PDL591011</b>  |
| Product or component type | Sensor  |
| Product colour            | White   |
| Power                     |   |
| Operating voltage         | 3 V DC (1 lithium button cell battery CR 2450)  |
| Battery life              | Up to 5 years (may vary based on the usage, frequency of firmware update and environment)                           |
| Environment               |   |
| IP rating                 | IP20  |
| Operating temperature     | -10 °C to 50 °C   |
| Operating humidity        | 10 % to 95 % RH, non-condensing   |
| Installation              |   |
| Dimensions (H x W x D)    | Sensor: 50 x 33 x 16.3 mm<br>Magnet: 50 x 9 x 9 mm  |
| Installation method       | On window and door frames, with screws or adhesive pads   |
| Package content           | Sensor, battery (pre-inserted), magnet, mounting base plate, double-sided adhesive pads, 2 screws, and 2 wall plugs |
| Certification             |   |
| Zigbee®                   | Zigbee 3.0  |

### Dimensions (mm)



#### Note:

Download the Wiser by SE app to your smartphone, and install the Wiser Hub to configure and control Wiser devices. You can use the app to pair, set up and control Wiser devices. The Wiser by SE app is available in the App stores for smartphones supporting operating systems Android™ OS (version 7 and above) or Apple® iOS (version 11 and above).

For more detailed information, refer to the on-line system user guide. Scan the QR code or follow the link: <https://www.productinfo.schneider-electric.com/pdl/>



# Technical Characteristics

## Wiser Sensors



Download  
Wiser by SE app



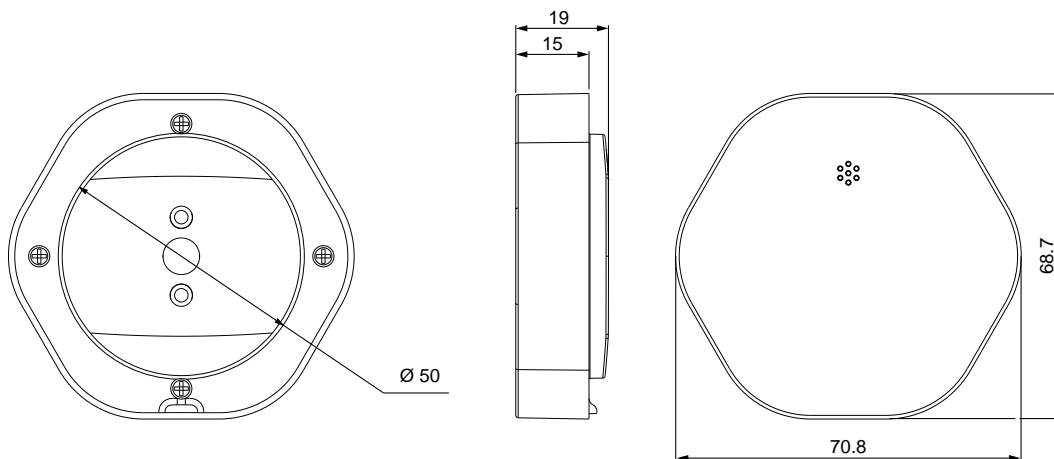
The Wiser Water Leakage Sensor detects the presence of water and alerts via an alarm and/or notification. When the sensor is connected to the Wiser Hub and detects water on the floor, it sends out a sound alarm and reports the event to the Wiser Hub. Householders with the Wiser by SE app installed on their smartphones can receive a push notification. The sensor should be placed where leaks are most likely to occur: the bottom level of your home or places like basement, kitchen, bathroom, balcony, bedroom, living room, utility room or anywhere you think leaks are possible. The sensor has two sensing pads at the bottom of the body. The pads are in contact with the floor surface when the sensor is placed in its operating position. The alarm activates when water is present between the pads.



### Wiser Water Leakage Sensor

| Identification            |   |
|---------------------------|---|
| Commercial Reference      | PDL592011   |
| Product colour            | White   |
| Product or component type | Sensor  |
| Power                     |   |
| Operating voltage         | 3 V DC (2 batteries LR03 AAA)   |
| Battery life              | Up to 5 years (may vary based on the usage, frequency of firmware update and environment) |
| Characteristics           |   |
| Sound level               | ≥70 dB at 3 m distance  |
| Environment               |   |
| IP rating                 | IP44  |
| Operating temperature     | -10 °C to 50 °C   |
| Operating humidity        | 10 % to 95 % RH, non-condensing   |
| Installation              |   |
| Dimensions (H × W × D)    | 70.8 × 68.7 × 19 mm   |
| Installation method       | Place in the area of detection with the water sensor facing downwards                     |
| Package content           | Sensor, 2 batteries (pre-inserted)  |
| Certification             |   |
| Zigbee®                   | Zigbee 3.0  |

### Dimensions (mm)



#### Note:

Download the Wiser by SE app to your smartphone, and install the Wiser Hub to configure and control Wiser devices. You can use the app to pair, set up and control Wiser devices. The Wiser by SE app is available in the App stores for smartphones supporting operating systems Android™ OS (version 7 and above) or Apple® iOS (version 11 and above).

For more detailed information, refer to the on-line system user guide. Scan the QR code or follow the link: <https://www.productinfo.schneider-electric.com/pdl/>



# Technical Characteristics

## Wiser Sensors



Download

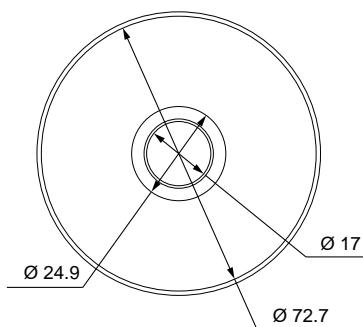
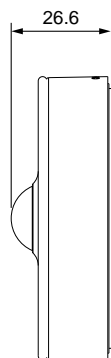
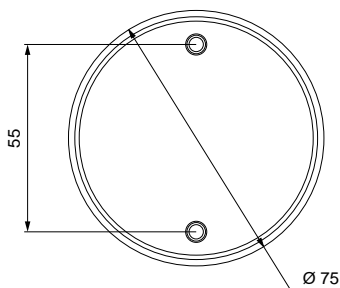
Wiser by SE app



The Wiser Motion Sensor detects movement and measures luminance in a room, reporting the status to the Wiser Hub. It controls Wiser devices to configure the room for a desired effect. The threshold of luminance settings and/or detection of movement can be programmed to determine what action to be taken at that moment: for example, switch on a lamp controlled by a Wiser switch or dimmer.

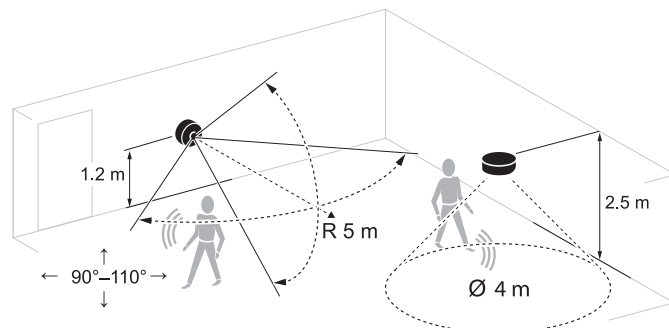


### Dimensions (mm)



### Wiser Motion Sensor

| Identification                   |  |
|----------------------------------|--|
| Commercial Reference             | PDL595011  |
| Product colour                   | White  |
| Product or component type        | Sensor   |
| Power                            |  |
| Operating voltage                | 3 V DC (2 batteries LR03 AAA)  |
| Battery life                     | Up to 5 years (may vary based on the usage, frequency of firmware update and environment)                                      |
| Characteristics                  |  |
| Lux measurement range            | 0 lx to 2000 lx  |
| Lux resolution                   | 1 lx   |
| Accuracy of lux measurement      | ±50 lx (<100 lx) or ±30 % lx (>100 lx)   |
| Environment                      |  |
| IP rating                        | IP20   |
| Operating temperature            | -10 °C to 50 °C  |
| Operating humidity               | 10 % to 95 % RH, non-condensing  |
| Installation                     |  |
| Dimensions (Ø × D)               | Ø 75.0 × 26.6 mm   |
| Installation method              | Surface-mounting, with screws or adhesive pads, on a ceiling or a wall   |
| Detection range: ceiling mounted | At 2.5 m<br>Detection angle: 360°<br>Detection range: 4 m diameter max.  |
| Detection range: wall mounted    | At 1.2 m<br>Detection angle: 90° to 110° horizontal and vertical<br>Detection range: 5 m in radius max.                        |
| Package content                  | Sensor, 2 batteries (pre-inserted), mounting base plate, double-sided adhesive pads, 2 screws, 2 wall plugs, instruction sheet |
| Certification                    |  |
| Zigbee®                          | Zigbee 3.0   |



#### Note:

Download the Wiser by SE app to your smartphone, and install the Wiser Hub to configure and control Wiser devices. You can use the app to pair, set up and control Wiser devices. The Wiser by SE app is available in the App stores for smartphones supporting operating systems Android™ OS (version 7 and above) or Apple® iOS (version 11 and above).

For more detailed information, refer to the on-line system user guide. Scan the QR code or follow the link: <https://www.productinfo.schneider-electric.com/pdl/>



# Technical Characteristics

## Wiser Sensors



Download

Wiser by SE app



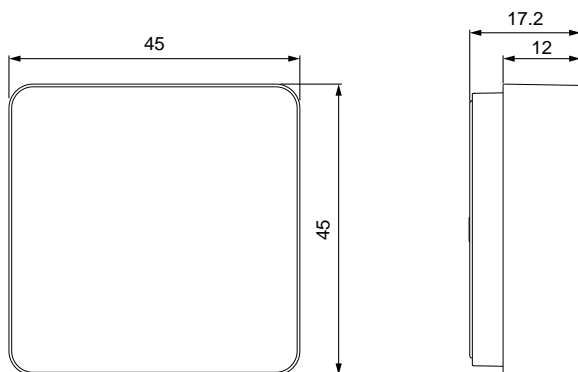
The Wiser Temperature/Humidity Sensor helps to maintain a comfortable environment in the home by detecting changes in temperature and humidity and reporting climate data to the Wiser Hub.



### Wiser Temperature/Humidity Sensor

| Identification            |  |
|---------------------------|--|
| Commercial Reference      | PDL593011  |
| Product colour            | White  |
| Product or component type | Sensor   |
| Power                     |  |
| Operating voltage         | 3 V DC (1 lithium button cell battery CR 2450)   |
| Battery life              | Up to 5 years (may vary based on the usage, frequency of firmware update and environment)                                  |
| Characteristics           |  |
| Temperature accuracy      | ±1.5 °C  |
| Temperature resolution    | 0.1 °C   |
| Humidity accuracy         | ±5 %   |
| Environment               |  |
| IP rating                 | IP20   |
| Operating temperature     | -10 °C to 50 °C  |
| Operating humidity        | 10 % to 95 % RH, non-condensing  |
| Installation              |  |
| Dimensions (H x W x D)    | 45 x 45 x 17.2 mm  |
| Installation method       | Surface-mounting, with screws or adhesive pads   |
| Package content           | Sensor, battery (pre-inserted), mounting base plate, double-sided adhesive pads, 2 screws, 2 wall plugs, instruction sheet |
| Certification             |  |
| Zigbee®                   | Zigbee 3.0   |

### Dimensions (mm)



#### Note:

Download the Wiser by SE app to your smartphone, and install the Wiser Hub to configure and control Wiser devices. You can use the app to pair, set up and control Wiser devices. The Wiser by SE app is available in the App stores for smartphones supporting operating systems Android™ OS (version 7 and above) or Apple® iOS (version 11 and above).

For more detailed information, refer to the on-line system user guide. Scan the QR code or follow the link: <https://www.productinfo.schneider-electric.com/pdl/>



# Technical Characteristics

## Wiser Sensors



Download

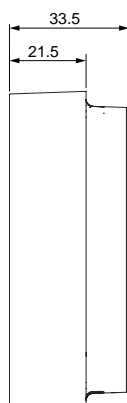
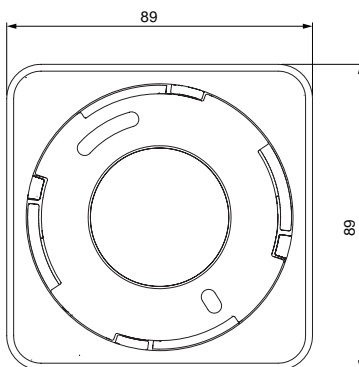
Wiser by SE app




The Wiser Smoke Alarm - Battery combines a photoelectric smoke alarm with smart home functions. Interconnecting with existing wireless Fire Tek® smoke alarms via RF, the Wiser battery powered alarms can be used separately or as part of a Wiser Smart Home System. The Wiser by SE app provides push notification alerts if smoke is detected, and automations can also be programmed to turn lights ON or flash to help provide fast warning if smoke is detected. The dual spectrum smoke sensing technology helps to mitigate false alarms for added confidence.



### Dimensions (mm)



### Wiser Smoke Alarm - Battery

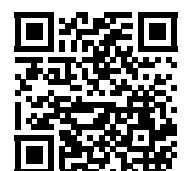
| Identification  |   |
|---|---|
| Commercial Reference  | <b>PDL599WSAL</b>   |
| Product colour  | White   |
| Product or component type   | Sensor  |
| Power   |   |
| Operating voltage   | 3 V DC (Lithium Battery)  |
| Operating current   | ≤ 70 mA   |
| Battery life  | 10 years (non replaceable)  |
| Characteristics   |   |
| Sensing type  | Dual Spectrum Photoelectric. This alarm contains NO radioactive material  |
| Interconnecting   | RF + Zigbee, max. 40 devices in one network<br>Wireless interconnection<br>Compatible with the Fire Tek (R) 755LPSMA4 and 755RFB2 RF base |
| Operating frequency   | Zigbee: 2405 - 2480 MHz<br>RF: 433 MHz  |
| Wireless range  | Zigbee: 40 m line of sight<br>RF: 50 m line of sight  |
| Horn level  | 85 dB at 3 m  |
| Hush mode duration  | 10 minutes  |
| LED brightness levels   | High / Low  |
| Alarm memory  | 72 hours  |
| Temperature for alarm   | If temp > 57 °C   |
| Environment   |   |
| Operating temperature   | 0 °C to 45 °C   |
| Ambient humidity  | 5 % to 95 %   |
| Installation  |   |
| Dimensions (H x W x D)  | 89 x 89 x 33.5 mm   |
| Installation method   | Mount on ceiling and wall only  |
| Package content   | Wiser Smoke Alarm - Battery, Mounting base, 2 Screws, 2 wall plugs, Primary label, instruction sheet, Dust cover                          |
| Certification   |   |
| Zigbee 3.0, AS 3786: 2014 + A2: 2018, RCM  |   |



#### Note:

Download the Wiser by SE app to your smartphone, and install the Wiser Hub to configure and control Wiser devices. You can use the app to pair, set up and control Wiser devices. The Wiser by SE app is available in the App stores for smartphones supporting operating systems Android™ OS (version 7 and above) or Apple® iOS (version 11 and above).

For more detailed information, refer to the on-line system user guide. Scan the QR code or follow the link: <https://www.productinfo.schneider-electric.com/pdl/>





The Wiser IP Camera Indoor provides day and night HD video recording, with a 340° panning view, motion detection notification alerts, intercom, and event or continuous recording. Simple and intuitive control via the Wiser by SE App from anywhere. Use standalone or integrate into the Wiser Smart Home System and Automations. It can be mounted on the ceiling or placed on a table top.



## Wiser IP Camera Indoor

### Identification

|                           |                  |
|---------------------------|------------------|
| Commercial reference      | <b>PDL723419</b> |
| Product or component type | Camera           |
| Product colour            | White            |

### Power

|                              |                       |
|------------------------------|-----------------------|
| Power supply                 | 5 VDC, 2 A            |
| Nominal power for AC adaptor | 100-240 VAC, 50/60 Hz |

### Characteristics

|                         |   |
|-------------------------|---|
| Communication interface | Wi-Fi®- 2.4 GHz, IEEE802.11 b/g/n compliant   |
| Security                | Wi-Fi®- WPA-PSK /WPA2-PSK<br>Data - AES128  |
| Connector type          | Micro USB port for the AC adaptor   |
| Transmission capacity   | Max. 100 mW   |
| Camera                  | 1/2.9" CMOS sensor<br>80° horizontal and 40° vertical wide-angle lens<br>0° - 340° pan angle<br>-75° to +75° tilt angle<br>F2.1 focal length<br>7 m IR range<br>Full HD camera with night vision<br>Motion detection and motion tracking<br>Integrated patrol function with 340° recording option<br>2-way audio communication<br>Screen flip function available, specially useful when installed on ceilings<br>Supports time watermark, to record videos with date and time stamp |
| Motion detection range  | 7 m   |
| Operating frequency     | 2405 - 2480 MHz   |
| Image/Video             | 1080 P resolution<br>Supports image snapshot, event recording and continuous recording.   |
| Local storage support   | Micro SD Card, max. 128 GB (not included)   |

### Installation

|                   |                    |
|-------------------|--------------------|
| <b>Dimensions</b> | Ø 56 × 73 × 134 mm |
| Weight            | 298 g              |
| Material          | Plastic            |

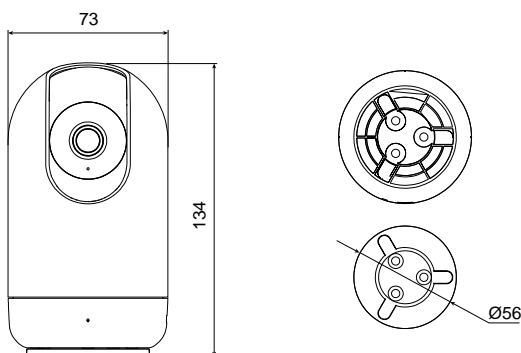
### Environment

|                       |                 |
|-----------------------|-----------------|
| Operating temperature | -10 °C to 45 °C |
| Storage temperature   | -20 °C to 60 °C |
| Operating humidity    | ≤ 95 % DH       |

### Functions and settings

- Supports snapshot and video recording on micro SD card.
- Option to choose between 1-way and 2-way communication.
- Option to activate motion tracking.
- Can control the pan and tilt angles of the camera (via app).
- On detecting motion, sends notifications and snapshots.
- Can be integrated into automations created via Wiser by SE app.

## Dimensions (mm)



### Note:

Download the Wiser by SE app to your smartphone, and install the Wiser Hub to configure and control Wiser devices. You can use the app to pair, set up and control Wiser devices. The Wiser by SE app is available in the App stores for smartphones supporting operating systems Android™ OS (version 7 and above) or Apple® iOS (version 11 and above).

For more detailed information, refer to the on-line system user guide. Scan the QR code or follow the link: <https://www.productinfo.schneider-electric.com/pdl/>





# Technical Characteristics

## Wiser IP Camera



Download

Wiser by SE app



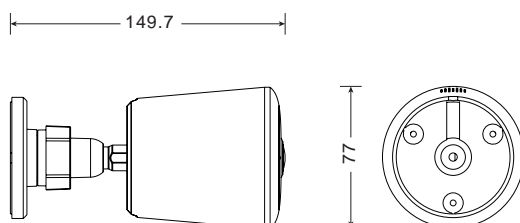
The Wiser IP Camera Outdoor provides day and night HD video recording, with a wide angle view, motion detection notification alerts, intercom and event or continuous recording. Simple and intuitive control via the Wiser by SE App from anywhere. Use standalone or integrate into the Wiser Smart Home System and Automations. With adjustable camera position and IP56 protection, it can be installed on a wall or ceiling/eave to suit any home.



### Wiser IP Camera Outdoor

| Identification               |   |
|------------------------------|---|
| Commercial reference         | <b>PDL724419</b>  |
| Product or component type    | Camera  |
| Product colour               | White   |
| Power                        |   |
| Power supply                 | 12 V DC, 1 A DC power adaptor   |
| Nominal power for AC adaptor | 100-240 VAC, 50/60 Hz   |
| Characteristics              |   |
| Communication interface      | Wi-Fi® - 802.11b/g/n, 2.4GHz  |
| Security                     | Wi-Fi® - WPA/WPA2, WPA-PSK/WPA2-PSK<br>Data - AES128  |
| Transmission capacity        | Max. 100 mW   |
| Camera                       | 1/2.7" Color CMOS sensor, 2 Megapixels (MP)<br>128° diagonal, 103° horizontal, and 54° vertical<br>Wide-angle lens<br>Up to 10 m IR range<br>Digital zoom function<br>Full HD camera with night vision<br>Motion detection, push notifications and recording<br>Motion detection with area configuration<br>Can be installed on wall or ceiling<br>Supports time watermark, to record videos with date and time stamp |
| Motion detection range       | 10 m  |
| Operating frequency          | 2405 - 2480 MHz   |
| Audio communication          | Semi duplex   |
| Image/Video                  | H.264 video compression<br>1080 P resolution<br>Image snapshot, event recording and full-time recording   |
| Local storage support        | Micro SD Card, max. 128 GB (not included)   |
| Installation                 |   |
| Dimensions                   | 149.7 × 77 mm   |
| Weight                       | 220 g   |
| Material                     | Plastic   |
| Protection class             | IP56  |
| Environment                  |   |
| Operating temperature        | -20 °C to 60 °C   |
| Storage temperature          | -30 °C to 85 °C   |
| Operating humidity           | 20 % - 95 % non-condensing  |
| Functions and settings       |   |
|                              | <ul style="list-style-type: none"> <li>• Supports snapshot and video recording on micro SD card.</li> <li>• Support digital zoom, image snapshot, motion detection recording and full-time recording.</li> <li>• On detecting motion, sends notifications and snapshots.</li> <li>• Can be integrated into automations created via Wiser by SE app.</li> </ul>  |

### Dimensions (mm)



#### Note:

Download the Wiser by SE app to your smartphone, and install the Wiser Hub to configure and control Wiser devices. You can use the app to pair, set up and control Wiser devices. The Wiser by SE app is available in the App stores for smartphones supporting operating systems Android™ OS (version 7 and above) or Apple® iOS (version 11 and above).

For more detailed information, refer to the on-line system user guide. Scan the QR code or follow the link: <https://www.productinfo.schneider-electric.com/pdl/>



# Technical Characteristics

## Wiser Micro Modules



Download

Wiser by SE app



The Wiser Micro Module Switch combines the advantages of smart switch functionality with ordinary momentary (bell press) push-button switches. It transforms a conventional push-button switch into a connected device you can control from the switch or through the Wiser by SE app. Up to 10 momentary push-button switches can be connected to one Wiser Micro Module Switch to control a connected load. With voltage free relay contacts, it is suitable for a wide range of from lighting to garage door motors.



### Wiser Micro Module Switch

#### Identification

|                           |              |
|---------------------------|--------------|
| Commercial Reference      | PDL5011WSZ   |
| Product colour            | Grey         |
| Product or component type | Micro Module |

#### Power

|                 |                                      |
|-----------------|--------------------------------------|
| Nominal voltage | 220-240 V AC, 50/60 Hz               |
| Nominal current | 10 AX                                |
| Switching       | 1 switching channel with dry contact |

#### Maximum load

|                         |                           |         |
|-------------------------|---------------------------|---------|
| LED lamp 230 V          | 200 W                     |         |
| Incandescent lamp 230 V | 2200 W                    |         |
| Halogen lamp 230 V      | 2000 W                    |         |
| LV halogen lamps        | electronic transformer    | 1050 VA |
|                         | ferromagnetic transformer | 500 VA  |
| Capacitive load         | 10 A, 140 µF              |         |
| Energy-saving lamps     | 100 W                     |         |
| Motor                   | 1000 VA                   |         |

#### Characteristics

|                                      |   |
|--------------------------------------|---|
| Direct operation                     | Operate the Wiser Micro Module Switch via a connected momentary push button (up to 10 push buttons can be connected)  |
| Remote operation via Wiser by SE app | <ul style="list-style-type: none"> <li>Operate the Wiser Micro Module Switch using the app on your smartphone (the Micro Module needs to be paired to the Wiser Hub)</li> <li>Set a timer or time schedule via the app</li> </ul> |

#### Environment

|                       |                                 |
|-----------------------|---------------------------------|
| IP rating             | IP20                            |
| Operating temperature | -10 °C to 50 °C                 |
| Operating humidity    | 10 % to 95 % RH, non-condensing |

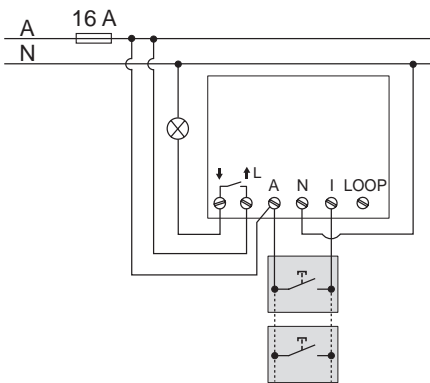
#### Installation

|                        |   |
|------------------------|---|
| Dimensions (H x W x D) | 43 x 43 x 22 mm   |
| Installation method    | Mount in wall box with a minimum depth of 26 mm.<br><b>Notes:</b> <ul style="list-style-type: none"> <li>If you place the Micro Module directly behind the external push button, use a deep wall box.</li> <li>Neutral conductor required.</li> </ul> |

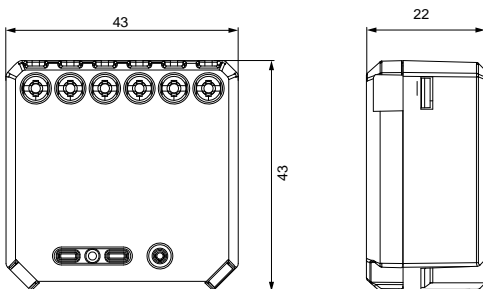
#### Certification

|         |            |
|---------|------------|
| Zigbee® | Zigbee 3.0 |
|---------|------------|

### Wiring diagram



### Dimensions (mm)



#### Note:

Download the Wiser by SE app to your smartphone, and install the Wiser Hub to configure and control Wiser devices. You can use the app to pair, set up and control Wiser devices. The Wiser by SE app is available in the App stores for smartphones supporting operating systems Android™ OS (version 7 and above) or Apple® iOS (version 11 and above).

For more detailed information, refer to the on-line system user guide. Scan the QR code or follow the link: <https://www.productinfo.schneider-electric.com/pdl/>



# Technical Characteristics

## Wiser Micro Modules



Download

Wiser by SE app



The Wiser Micro Module Dimmer combines the advantages of smart dimmer functionality with ordinary momentary (bell press) push-button switches. It transforms a conventional push-button switch into a connected device you can control from the switch or through the Wiser by SE app. Up to 10 momentary push-button switches can be connected to one Wiser Micro Module Dimmer to control a dimmable load. The device can switch and dim ohmic, inductive, or capacitive loads.



### Wiser Micro Module Dimmer

#### Identification

|                           |                   |
|---------------------------|-------------------|
| Commercial Reference      | <b>PDL5010WDZ</b> |
| Product colour            | Grey              |
| Product or component type | Micro Module      |

#### Power

|                 |                        |
|-----------------|------------------------|
| Nominal voltage | 220-240 V AC, 50/60 Hz |
| Dimming         | 1 dimming channel      |

#### Maximum load

|                         |   |              |
|-------------------------|---|--------------|
| LED lamp 230 V          | RC <sup>(1)</sup> : 5 to 100 W<br>RL <sup>(2)</sup> : 5 to 20 W<br><b>Note:</b> a 31LCDA may be required for some LED loads |              |
| Incandescent lamp 230 V | 14 to 200 W   |              |
| Halogen lamp 230 V      | 14 to 150 W   |              |
| LV halogen lamps        | dimmable electronic transformer   | 14 to 200 VA |
|                         | dimmable ferromagnetic transformer  | 14 to 150 VA |

#### Characteristics

|                                      |  |
|--------------------------------------|--|
| Micro module                         | <ul style="list-style-type: none"> <li>Automatic load detection</li> <li>Brightness memory function</li> <li>Soft start, soft stop</li> <li>Electronic overload protection, overheating protection, short-circuit protection.</li> </ul>   |
| Direct operation                     | Operate the Wiser Micro Module Dimmer via a connected momentary push button (up to 10 push buttons can be connected)   |
| Remote operation via Wiser by SE app | <ul style="list-style-type: none"> <li>Operate the Wiser Micro Module Dimmer using the app on your smartphone (the micro module needs to be paired to the Wiser Hub)</li> <li>Set the switch-on brightness or memory function (default setting)</li> <li>Set the dimming range: minimum and maximum brightness</li> <li>Set the LED operating mode manually (RL LED mode)</li> <li>Set a timer or time schedule via the app</li> </ul> |

#### Environment

|                       |                                 |
|-----------------------|---------------------------------|
| IP rating             | IP20                            |
| Operating temperature | -10 °C to 50 °C                 |
| Operating humidity    | 10 % to 95 % RH, non-condensing |

#### Installation

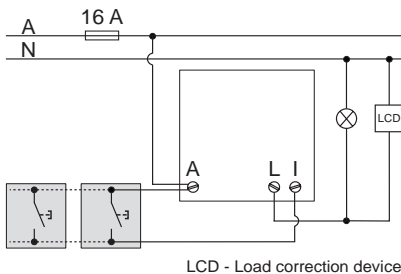
|                        |   |
|------------------------|---|
| Dimensions (H x W x D) | 43 x 43 x 22 mm   |
| Installation method    | Mount in wall box with a minimum depth of 26 mm.<br><b>Note:</b> If you place the Micro Module directly behind the external push button, use a deep wall box. |

#### Certification

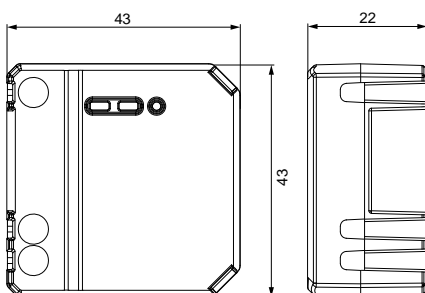
|         |            |
|---------|------------|
| Zigbee® | Zigbee 3.0 |
|---------|------------|

(1) RC = Resistive and Capacitive loads.  
(2) RL = Resistive and Inductive loads.

### Wiring diagram



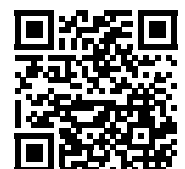
### Dimensions (mm)



#### Note:

Download the Wiser by SE app to your smartphone, and install the Wiser Hub to configure and control Wiser devices. You can use the app to pair, set up and control Wiser devices. The Wiser by SE app is available in the App stores for smartphones supporting operating systems Android™ OS (version 7 and above) or Apple® iOS (version 11 and above).

For more detailed information, refer to the on-line system user guide. Scan the QR code or follow the link: <https://www.productinfo.schneider-electric.com/pdl/>



# Technical Characteristics

## Wiser Micro Modules



Download  
Wiser by SE app



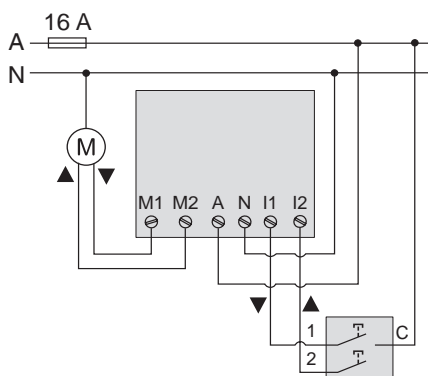
The Wiser Micro Module Blind Controller combines the advantages of smart shutter functionality with ordinary momentary (bell press) push-button switches. Provides control of motorised blinds either from momentary switches, voice command or Wiser by SE app. Up to 10 double momentary push-button switches or 3 position switches can be connected to one Wiser Micro Module Blind Controller to control a connected blind or roller shutter. The Blind Control Micro Module is designed to control 240 V twin active blind and shutter motors equipped with an end position switch. Relay contacts mechanically locked against each other help to prevent simultaneous triggering of the two relay outputs.



### Wiser Micro Module Blind Controller

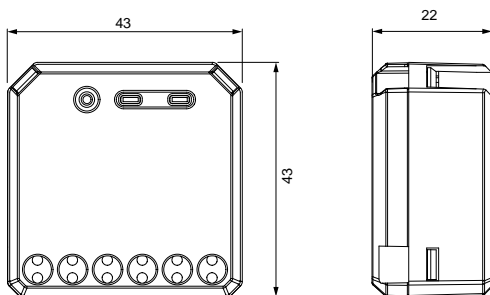
| Identification                       |   |
|--------------------------------------|---|
| Commercial Reference                 | PDL5015WBZ  |
| Product colour                       | Grey  |
| Product or component type            | Micro Module  |
| Power                                |   |
| Nominal voltage                      | 220-240 V AC, 50/60 Hz  |
| Nominal current                      | 4 A, $\cos \phi = 0.6 - 1.0$  |
| Channel                              | 1 blind channel, mechanically and electronically locked against each other  |
| Maximum load                         |   |
| Motor                                | 960 VA  |
| Characteristics                      |   |
| Micro module                         | Protection of the motor against damage with two mutually mechanically and electronically locked relay contacts  |
| Direct operation                     | Operate the Wiser Micro Module Blind Controller via a connected double momentary push button or 3 position switch (up to 10 can be connected in parallel).  |
| Remote operation via Wiser by SE app | <ul style="list-style-type: none"> <li>Operate the Wiser Micro Module Blind Controller using the app on your smartphone (the micro module needs to be paired to the Wiser Hub)</li> <li>Set the running time</li> <li>Set a timer or time schedule via the app</li> </ul> |
| Environment                          |   |
| IP rating                            | IP20  |
| Operating temperature                | -10 °C to 50 °C   |
| Operating humidity                   | 10 % to 95 % RH, non-condensing   |
| Installation                         |   |
| Dimensions (H x W x D)               | 43 x 43 x 22 mm   |
| Installation method                  | Mount in wall box with a minimum depth of 26 mm.<br><b>Notes:</b> <ul style="list-style-type: none"> <li>If you place the micro module directly behind the external push button, use a deep wall box.</li> <li>Neutral conductor required</li> </ul>                      |
| Certification                        |   |
| Zigbee®                              | Zigbee 3.0  |

### Wiring diagram



Push button: 1 x Momentary 3-position switch

### Dimensions (mm)



#### Note:

Download the Wiser by SE app to your smartphone, and install the Wiser Hub to configure and control Wiser devices. You can use the app to pair, set up and control Wiser devices. The Wiser by SE app is available in the App stores for smartphones supporting operating systems Android™ OS (version 7 and above) or Apple® iOS (version 11 and above).

For more detailed information, refer to the on-line system user guide. Scan the QR code or follow the link: <https://www.productinfo.schneider-electric.com/pdl/>



# Technical Characteristics

## Iconic Connected Devices



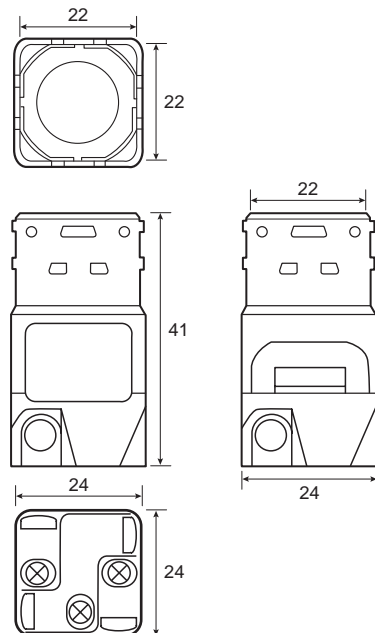
Download  
Wiser by SE app



The multi-award-winning Iconic Connected 2 AX switch is ideal for controlling LED lighting loads and exhaust fans. The small housing with integrated terminals allows quick installation into 6-Gang plates and standard wall boxes. The product comes in a 3-wire design and requires a neutral. The subtle warm white status LED indicator mode can be customized using the Wiser by SE app. When in BLE mode, the 2 A switch has a 1s-24 hr time delay and run-on timer functionality. When connected to the Wiser Hub, the switch can be integrated into Moment and Automations, or simply be operated as a timer or time scheduler. It can be controlled through the push button on the wall, remotely using the Wiser by SE app, or voice command.



### Dimensions (mm)

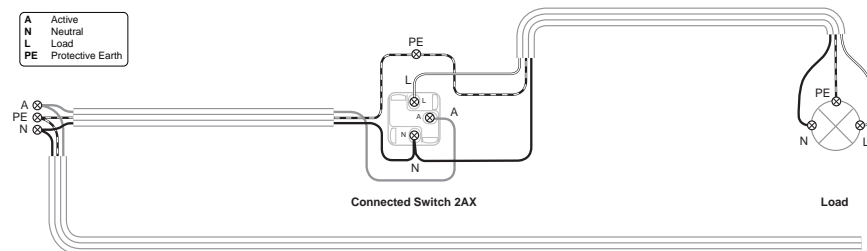


### Iconic Connected Switch 2 AX

| Identification                              |  |
|---|--|
| Commercial Reference                        | <b>PDL356PB2MBTZ-VW (Zigbee)</b><br><b>PDL356PB2MBTW-VW (BLE)</b>  |
| Supported protocols                         | Zigbee 3.0 and BLE   |
| Product colour                              | Vivid White  |
| Product or component type                   | Connected Mechanism  |
| Power                                       |  |
| Operating voltage                           | 220–240 V AC, 50 Hz  |
| Switching technique                         | Relay  |
| Maximum load                                |  |
| Resistive load (e.g. incandescent lighting) | 2 A  |
| MV halogen load                             |  |
| Electronic LV lighting transformers         |  |
| LED lighting drivers                        |  |
| Linear fluorescent ballasts                 |  |
| Inductive load (e.g. exhaust fan)           | 2 A @ 0.6 pF   |
| M-rating                                    | M.8  |
| Characteristics                             |  |
| Mechanism                                   | <ul style="list-style-type: none"> <li>Over-temperature and thermal protection</li> <li>LED indicator</li> </ul> |
| Multiway control                            | No Controllink available (however can be achievable via Automation functions)                                    |
| Environment                                 |  |
| IP rating                                   | IP20   |
| Operating humidity                          | 5 % – 90 % RH, non-condensing  |
| Operating temperature                       | 0 °C to 45 °C  |
| Installation                                |  |
| Suitable wall box                           | Standard   |
| Compatible plate ranges                     | Iconic, Iconic Styl, Iconic Essence, Pro Series  |
| Multi-gang plate capacity                   | Max 6 primary mechs per plate  |
| Certification                               |  |
| Zigbee®                                     | Zigbee 3.0   |
| Compliance                                  |  |
| Safety                                      | AS/NZS 60669.2.1   |
| EMC   | AS/NZS 60669.2.1   |
| RF  | AS/NZS 4268  |

### Wiring diagram

(Typical installation using Iconic Connected Module)



**Note:**  
Download the Wiser by SE app to your smartphone, and install the Wiser Hub to configure and control Wiser devices. You can use the app to pair, set up and control Wiser devices. The Wiser by SE app is available in the App stores for smartphones supporting operating systems Android™ OS (version 7 and above) or Apple® iOS (version 11 and above).

For more detailed information, refer to the on-line system user guide. Scan the QR code or follow the link: <https://www.productinfo.schneider-electric.com/pdl/>



# Technical Characteristics

## Iconic Connected Devices



Download  
Wiser by SE app

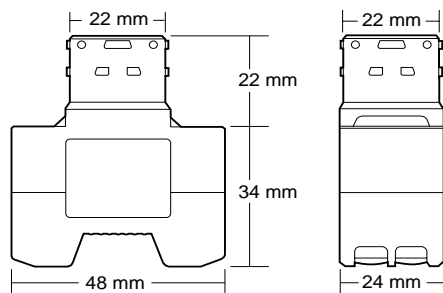


The Iconic Connected Switch 10 AX is suitable for controlling a wide variety of loads. The housing with integrated terminals allows quick installation into 3-Gang plates and deep wall boxes. The product comes in a 3-wire design and requires a neutral. ControlLink provides the option of hard-wired multiway switching. The subtle warm white status LED indicator mode can be customized using the Wiser by SE app. When in BLE mode, the 10 AX switch has a 1s-24 hr time delay and 24/7 scheduling functionality. When connected to the Wiser Hub, the switch can be integrated into Moments and Automations or simply be operated as a timer or time scheduler. It can be controlled through the push button on the wall, remotely using the Wiser by SE app, or voice command.

### Iconic Connected Switch 10 AX



### Dimensions (mm)



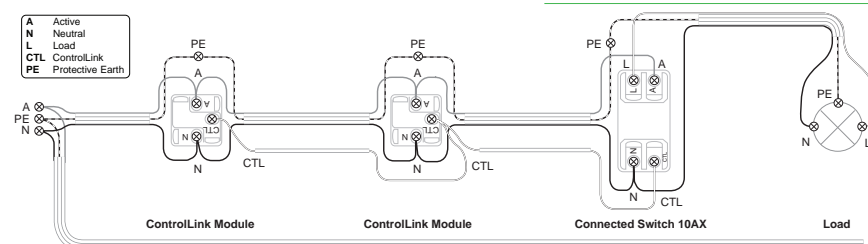
### Wiring diagram

(Typical 3-way installation using Iconic Connected Module)

Note: Set the ControlLink Module to Switch mode - see ControlLink Module instructions

#### Notes:

- All Active connections must be on the same phase.
- Up to 5-way switching (e.g. 1x 10AX Switch plus up to 4x ControlLink Modules, or up to 3x 10AX Switches plus 2x ControlLink Modules). In case of multiple 10AX Switches being installed, each switch must be connected to a separate load.
- Total length of CTL and Active loop: max. 50 m.
- Control and load cables must not be coupled.



#### Note:

Download the Wiser by SE app to your smartphone, and install the Wiser Hub to configure and control Wiser devices. You can use the app to pair, set up and control Wiser devices. The Wiser by SE app is available in the App stores for smartphones supporting operating systems Android™ OS (version 7 and above) or Apple® iOS (version 11 and above).

| Identification                              |   |
|---|---|
| Commercial Reference                        | <b>PDL356PB10MBTZ-VW (Zigbee)</b><br><b>PDL356PB10MBTW-VW (BLE)</b>   |
| Supported protocols                         | Zigbee 3.0 and BLE  |
| Product colour                              | Vivid White   |
| Product or component type                   | Connected Mechanism   |
| Power                                       |   |
| Operating voltage                           | 220 – 240 V AC, 50 Hz   |
| Switching technique                         | Relay   |
| Maximum load                                |   |
| Resistive load (e.g. incandescent lighting) | 15 A  |
| MV halogen load                             | 10 A  |
| Electronic LV lighting transformers         |   |
| LED lighting drivers                        |   |
| Linear fluorescent ballasts                 |   |
| Inductive load (e.g. exhaust fan)           | 6 A @ 0.6 pF  |
| M-rating                                    | M.40  |
| Characteristics                             |   |
| Mechanism                                   | <ul style="list-style-type: none"> <li>Over-temperature and thermal protection</li> <li>LED indicator</li> </ul>                                  |
| Multiway control                            | <ul style="list-style-type: none"> <li>Via ControlLink (up to 5-way switching)</li> <li>Total length of CTL and Active loop: max. 50 m</li> </ul> |
| Power failure data retention                | <ul style="list-style-type: none"> <li>Internal date/time retained for at least 6 hrs</li> <li>Settings preserved indefinitely</li> </ul>         |
| Environment                                 |   |
| IP rating                                   | IP20  |
| Operating humidity                          | 5 % – 90 % RH, non-condensing   |
| Operating temperature                       | 0 °C to 45 °C   |
| Installation                                |   |
| Suitable wall box                           | Deep  |
| Compatible plate ranges                     | Iconic, Iconic Styl, Iconic Essence, Pro Series   |
| Multi-gang plate capacity                   | Max. 3 primary mechs per plate  |
| Certification                               |   |
| Zigbee®                                     | Zigbee 3.0  |
| Compliance                                  |   |
| Safety                                      | AS/NZS 60669.2.1  |
| EMC   | AS/NZS 60669.2.1  |
| RF  | AS/NZS 4268   |

For more detailed information, refer to the on-line system user guide. Scan the QR code or follow the link: <https://www.productinfo.schneider-electric.com/pdl/>



# Technical Characteristics

## Iconic Connected Devices



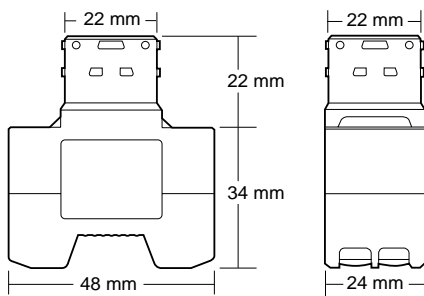
Download  
Wiser by SE app



The Iconic Connected Dimmer provides smooth, full range LED dimming control. The housing with integrated terminals allows quick installation into 3-Gang Dimmer plates and deep wall boxes. The product comes in a 3-wire design and requires a neutral. ControlLink provides the option for hard-wired multiway dimming. The subtle warm white status LED indicator mode can be customized using the Wiser by SE app. When in BLE mode, the Connected Dimmer has a 1s-24 hr time delay and 24/7 scheduler functionality. When connected to the Wiser Hub, the dimmer can be integrated into Moments and Automations or simply be operated as a timed or time-scheduled dimmer. It can be controlled through the push button on the wall, remotely using the Wiser by SE app, or voice command.



### Dimensions (mm)

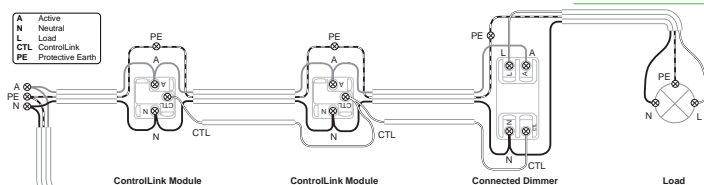


### Wiring diagram

(Typical 3-way installation using Iconic Connected Module)

**Note:**  
Control Link Module work with the Connected Dimmer out-of-the-box.

- Note:**
- All Active connections must be on the same phase.
  - Up to 5-way dimming (e.g. 1x Dimmer plus up to 4x Control Link Modules, or up to 3x Dimmers plus 2x Control Link Modules).
  - In case of multiple Dimmers being installed, each Dimmer must be connected to a separate load.
  - Total length of CTL and Active loop: max. 50 m.
  - Control and load cables must not be coupled.

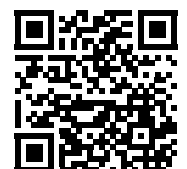


**Note:**  
Download the Wiser by SE app to your smartphone, and install the Wiser Hub to configure and control Wiser devices. You can use the app to pair, set up and control Wiser devices. The Wiser by SE app is available in the App stores for smartphones supporting operating systems Android™ OS (version 7 and above) or Apple® iOS (version 11 and above).

### Iconic Connected Dimmer

| Identification                         |   |
|--|---|
| Commercial Reference                   | <b>PDL354PBDMBTZ-VW (Zigbee)</b><br><b>PDL354PBDMBTW-VW (BLE)</b>   |
| Supported protocols                    | Zigbee 3.0 and BLE  |
| Product colour                         | Vivid White   |
| Product or component type              | Connected Mechanism   |
| Power                                  |   |
| Operating voltage                      | 220–240 V AC, 50 Hz   |
| Maximum load                           |   |
| Limits                                 | No minimum load required<br>Max. 300 W  |
| Dimmable LED                           | 150 W   |
| Dimmable compact fluorescent           | 300 W   |
| 240 V incandescent/halogen             |   |
| LV halogen with electronic transformer |   |
| Non-dimmable LED                       | Not compatible  |
| Non-dimmable compact fluorescent       | Not compatible  |
| Characteristics                        |   |
| Mechanism                              | <ul style="list-style-type: none"> <li>Over-temperature, short circuit and overcurrent/thermal fuse protection</li> <li>LED indicator</li> <li>LED indicator flashes in the event of load disconnection or failure</li> </ul> |
| Dimming range                          | Min. 0 %, Max. 100 % (depending on load)  |
| Multiway control                       | <ul style="list-style-type: none"> <li>Via ControlLink (up to 5-way dimming using max. 3 x Iconic Connected Dimmers and remainder ControlLink modules)</li> <li>Total length of CTL and Active loop: max. 50 m</li> </ul>     |
| Power failure data retention           | <ul style="list-style-type: none"> <li>Internal date/time retained for at least 6 hrs</li> <li>Settings preserved indefinitely</li> </ul>   |
| Environment                            |   |
| IP rating                              | IP20  |
| Operating humidity                     | 5 % – 90 % RH, non-condensing   |
| Operating temperature                  | 0 °C to 45 °C   |
| Installation                           |   |
| Suitable wall box                      | Deep  |
| Compatible plate ranges                | Iconic, Iconic Styl, Iconic Essence, Pro Series   |
| Multi-gang plate capacity              | Max 3 primary mechs per plate   |
| Certification                          |   |
| Zigbee®                                | Zigbee 3.0  |
| Compliance                             |   |
| Safety                                 | AS/NZS 60669.2.1  |
| EMC                                    | AS/NZS 60669.2.1  |
| RF                                     | AS/NZS 4268   |

For more detailed information, refer to the on-line system user guide. Scan the QR code or follow the link:  
<https://www.productinfo.schneider-electric.com/pdl/>



# Technical Characteristics

## Iconic Connected Devices



Download  
Wiser by SE app

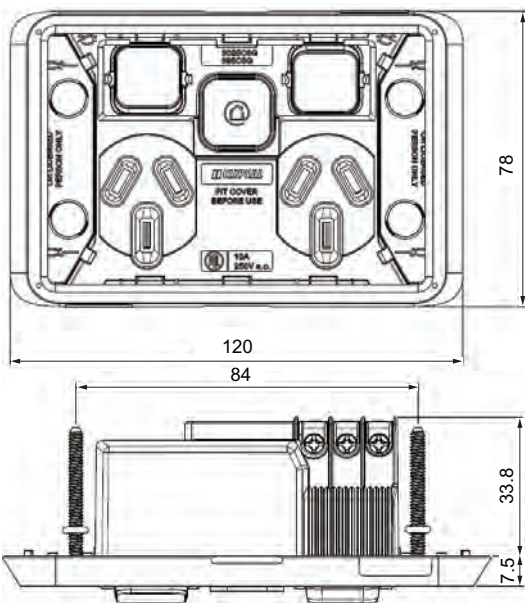


The Iconic Connected Socket provides app controlled switching of plug-in appliances using the Wiser by SE app. When in BLE mode, the socket has a 12-24 hr time delay and 24/7 scheduler functionality. When connected to the Wiser Hub, the socket can be integrated into Moments and Automations or simply be operated with a timed or time-scheduled output. When the manual switch on the socket is in the Smart position, the socket can be controlled remotely.

**Note:** This product is supplied as a grid only. A range of skins in various styles and colours are available for separate purchase.



### Dimensions (mm)



### Iconic Connected Twin 10 A Socket

| Main data                                   |   |
|---|---|
| Commercial Reference                        | <b>PDL395CSGZ (Zigbee)</b><br><b>PDL395CSG (BLE)</b>  |
| Supported protocols                         | Zigbee 3.0 and BLE  |
| Product colour                              | Vivid White   |
| Product or component type                   | Connected Socket  |
| Power                                       |   |
| Operating voltage                           | 240 V AC, 50 Hz   |
| Maximum load                                |   |
| Max. load rating                            | 10 A  |
| Characteristics                             |   |
| Indicators                                  | LED indicator   |
| Power failure data retention                | <ul style="list-style-type: none"> <li>Internal date/time retained for at least 6 hrs</li> <li>Settings preserved indefinitely</li> </ul>   |
| Environment                                 |   |
| IP rating                                   | IP20  |
| Operating humidity                          | 5 % – 90 % RH, non-condensing   |
| Operating temperature                       | 0 °C to 45 °C   |
| Installation                                |   |
| Compatible wall box and bracket ranges      | <ul style="list-style-type: none"> <li>PDL144M</li> <li>PDL144P</li> <li>PDL140F</li> </ul>   |
| Compatible skins (to be ordered separately) | <ul style="list-style-type: none"> <li>PDL395CSC-VW (Iconic, Vivid White)</li> <li>PDL395CSC-CY (Iconic, Cool Grey)</li> <li>PDL395CSC-AN (Iconic, Anthracite)</li> <li>PDLS395CSC-SV (Iconic Styl, Silver)</li> <li>PDLS395CSC-CE (Iconic Styl, Crowne)</li> <li>PDLS395CSC-SH (Iconic Styl, Silver Shadow)</li> <li>PDLE395CSC-AW (Iconic Essence, Arctic White)</li> <li>PDLE395CSC-AG (Iconic Essence, Ash Grey)</li> </ul> |
| Certification                               |   |
| Zigbee®                                     | Zigbee 3.0  |
| Compliance                                  |   |
| Safety                                      | <ul style="list-style-type: none"> <li>AS/NZS 3112</li> <li>AS/NZS 60669.2.1</li> </ul>   |
| EMC   | AS/NZS 60669.2.1  |
| RF  | AS/NZS 4268   |

**Note:**

Download the Wiser by SE app to your smartphone, and install the Wiser Hub to configure and control Wiser devices. You can use the app to pair, set up and control Wiser devices. The Wiser by SE app is available in the App stores for smartphones supporting operating systems Android™ OS (version 7 and above) or Apple® iOS (version 11 and above).

For more detailed information, refer to the on-line system user guide. Scan the QR code or follow the link: <https://www.productinfo.schneider-electric.com/pdl/>





# Technical Characteristics

## Iconic Connected Devices



Download

Wiser by SE app



The Iconic Outdoor Connected Socket operates as a switch and a switched socket outlet 'out-of-the-box' with no configuration needed. Perfect for use with the equipment you only want to run at specific times, the Iconic Outdoor Single Switched Socket with Timer is rated 10 A, 250 V. Using Bluetooth Low Energy (BLE), configure your settings using the Wiser by SE app from your phone or tablet. It can also be upgraded for remote access.

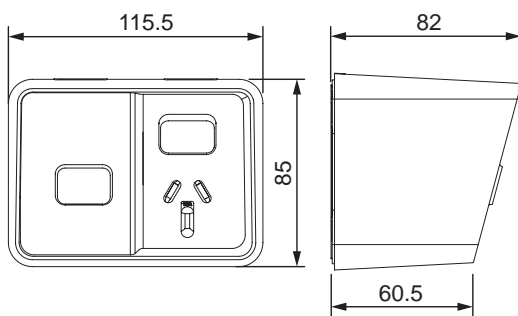
**Note:** The switch fitted is a Wiser Connected switch PDL356PB10MBTW-VW in BLE default mode, however can be converted to Zigbee.



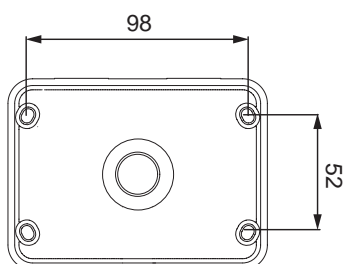
### Iconic Outdoor Connected Socket

| Identification                        |   |
|---------------------------------------|---|
| Commercial reference                  | <b>PDLO394CS-XW</b><br><b>PDLO394CS-BK</b>  |
| Product or component type             | Switched socket   |
| Product colour                        | Extra White (XW), Black (BK)  |
| Range                                 | Iconic Outdoor  |
| Power                                 |   |
| Rating                                | 10 A, 250 V AC, 50 Hz   |
| Characteristics                       |   |
| Outlet poles configuration            | 1P + E with shutter   |
| Device presentation                   | Complete product  |
| Provided equipment                    | Frame, Grid plate, and Skin   |
| Fixing mode                           | Frame - By screws (horizontal)<br>Skin, Grid, and Frame - Clip together   |
| Type of packing                       | Box   |
| Sale per indivisible quantity         | 1   |
| Number of power socket outlets        | 1   |
| Control type                          | ON/OFF Switch, Wiser by SE App  |
| Number of rockers                     | 1   |
| Number of conduit entries             | 5 x, Ø20/Ø25, Rigid or Flexible   |
| Outlet standard                       | Australian/New Zealand  |
| Surface finish                        | Matt  |
| M-Rating (Locked rotor current)       | M40   |
| Electrical durability                 | 12000 operating cycles to AS/NZS 3133   |
| Mechanical durability                 | 20000 plugging operating cycles   |
| Connections - terminals               | 3 x screw terminals   |
| Screwdriver shape                     | Philips No 2, Square drive No 1 (SQ1)   |
| Clamping connection capacity          | 3 x 2.5 mm <sup>2</sup> , 2 x 4.0 mm <sup>2</sup>   |
| Wire stripping length                 | 16 mm   |
| Standards                             | AS/NZS 3112, AS/NZS 60669.2.1   |
| IP degree of protection               | IP54  |
| Installation                          |   |
| Dimensions (H x W x D)                | 85 x 115 x 82 mm  |
| Product weight                        | 0.292 kg  |
| Material                              | Frame: PC (polycarbonate) and TPE (thermoplastic elastomer)<br>Grid plate : PC (polycarbonate)<br>Shutter : POM (polyoxymethylene)<br>Skin: ABS (acrylonitrile butadiene-styrene) |
| Device mounting                       | Surface mount   |
| Environment                           |   |
| Ambient air temperature for storage   | 0 °C to 60 °C   |
| Ambient air temperature for operation | 0 °C to 45 °C   |
| Relative humidity                     | 10 % – 95 %   |
| Certification                         |   |
| RCM                                   |   |

### Dimensions (mm)



### Mounting centres (mm)



#### Note:

Download the Wiser by SE app to your smartphone, and install the Wiser Hub to configure and control Wiser devices. You can use the app to pair, set up and control Wiser devices. The Wiser by SE app is available in the App stores for smartphones supporting operating systems Android™ OS (version 7 and above) or Apple® iOS (version 11 and above).



For more detailed information, refer to the on-line system user guide. Scan the QR code or follow the link: <https://www.productinfo.schneider-electric.com/pdl/>



# Commercial Reference Numbers

The products listed below can be integrated into a Wiser™ system.

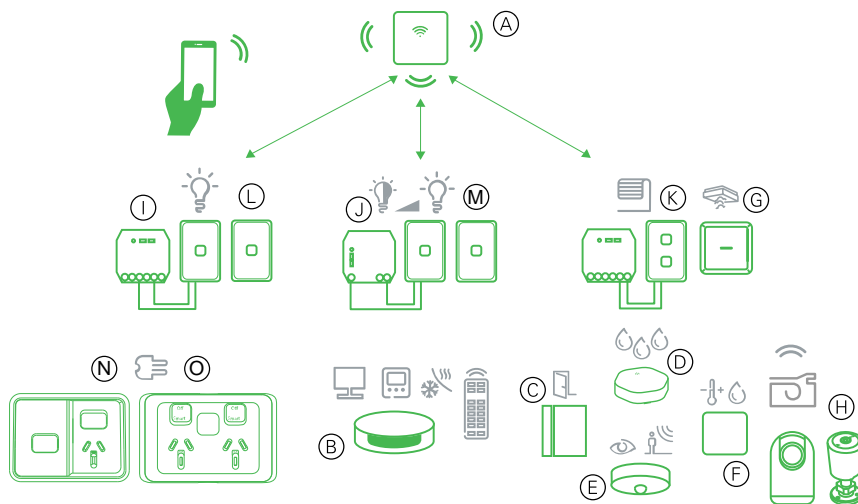
**Note:** Iconic Connected products with BLE default mode can also be integrated into a Wiser system by changing the operating mode to Zigbee—refer to the instructions provided with the product.

## Home Control - Zigbee

| Commercial Reference | Product Name  | Diagram Reference | Technical Characteristics |
|----------------------|---|-------------------|---------------------------|
| PDL501902            | Wiser Hub   | A                 | p.8                       |
| PDL501902_0001       | Wiser Hub Table Stand                                   | A                 | p.9                       |
| PDL501401            | Wiser IR Converter                                      | B                 | p.10                      |
| PDL591011            | Wiser Window/Door Sensor                                | C                 | p.11                      |
| PDL592011            | Wiser Water Leakage Sensor                              | D                 | p.12                      |
| PDL595011            | Wiser Motion Sensor                                     | E                 | p.13                      |
| PDL593011            | Wiser Temperature/Humidity Sensor                       | F                 | p.14                      |
| PDL599WSAL           | Wiser Smoke Alarm - Battery                             | G                 | p.15                      |
| PDL723419            | Wiser IP Camera Indoor                                  | H                 | p.16                      |
| PDL724419            | Wiser IP Camera Outdoor                                 | H                 | p.17                      |
| PDL5011WSZ           | Wiser Micro Module Switch                               | I                 | p.18                      |
| PDL5010WDZ           | Wiser Micro Module Dimmer                               | J                 | p.19                      |
| PDL5015WBZ           | Wiser Micro Module Blind Controller                     | K                 | p.20                      |
| PDL356PB2MBTZ-VW     | Iconic Connected Switch 2 AX (Zigbee default mode)      | L                 | p.21                      |
| PDL356PB10MBTZ-VW    | Iconic Connected Switch 10 AX (Zigbee default mode)     | L                 | p.22                      |
| PDL354PBDMBTZ-VW     | Iconic Connected Dimmer (Zigbee default mode)           | M                 | p.23                      |
| PDL395CSGZ           | Iconic Connected Twin 10 A Socket (Zigbee default mode) | N                 | p.24                      |

## Room Control - BLE

| Commercial Reference | Product Name  | Diagram Reference | Technical Characteristics |
|----------------------|---|-------------------|---------------------------|
| PDL356PB2MBTW-VW     | Iconic Connected Switch 2 AX (Bluetooth default mode)           | L                 | p.21                      |
| PDL356PB10MBTW-VW    | Iconic Connected Switch 10 AX (Bluetooth default mode)          | L                 | p.22                      |
| PDL354PBDMBTW-VW     | Iconic Connected Dimmer (Bluetooth default mode)                | M                 | p.23                      |
| PDL395CSG            | Iconic Connected Twin 10 A Socket (Bluetooth default mode)      | N                 | p.24                      |
| PDL0394CS-XW         | Iconic Outdoor Connected Single Socket (Bluetooth default mode) | O                 | p.25                      |
| PDL0394CS-BK         | Iconic Outdoor Connected Single Socket (Bluetooth default mode) | O                 | p.25                      |



## Disclaimer

Schneider Electric (NZ) Ltd reserves the right to change specifications, modify designs and discontinue items without incurring obligation and whilst every effort is made to ensure that descriptions, specifications and other information in this catalogue are correct, no warranty is given in respect thereof and the company shall not be liable for any error therein.

# Wiser by SE App – Commissioning Guide

## 1 Download Wiser by SE app

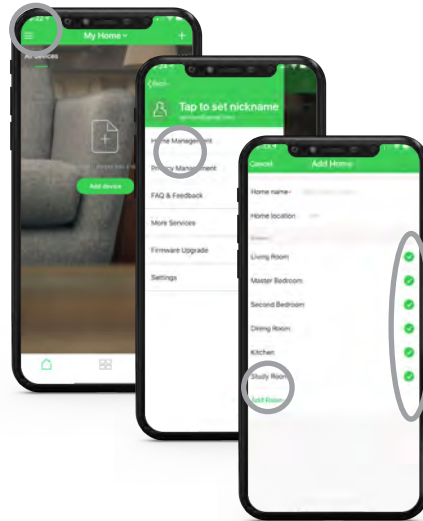
Register account and connect to WiFi router.



## 2 Create rooms

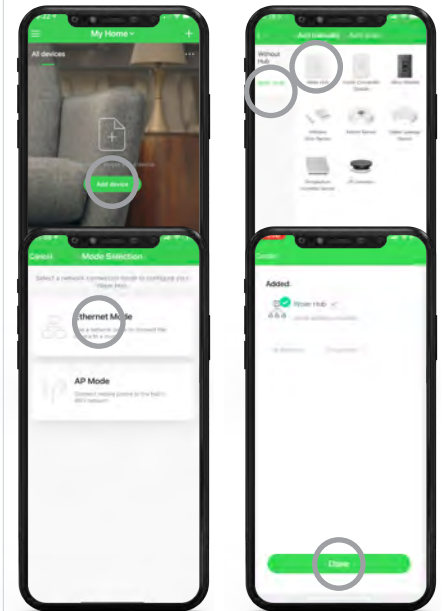
Go to home settings, then Home Management.

Wire all devices as per instruction manual and power up.



## 3 Connect the Wiser Hub

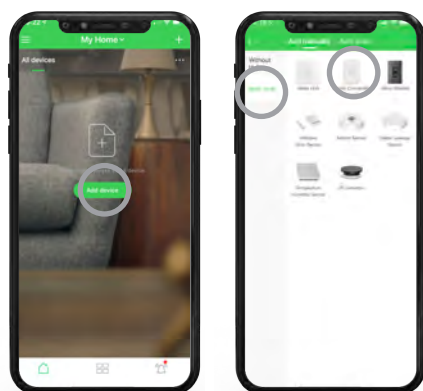
Add the Hub via Ethernet mode and commission step by step (Connect Hub into router's ethernet port).



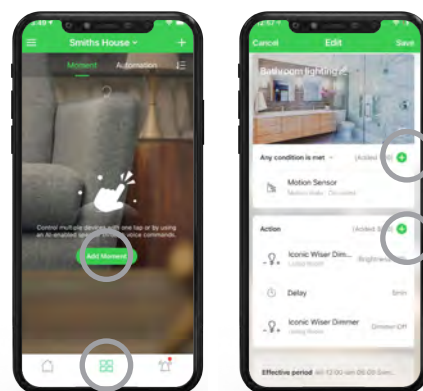
## 4 Add devices

Return to Home page and select the room to add devices.

Tap add device, then With Hub, then either auto scan or manually tap the device to add

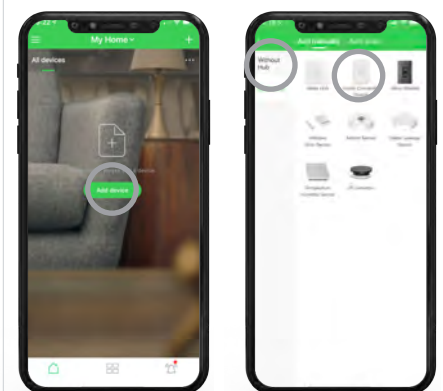


## 5 Create moments and automations if needed



## 6 If connecting directly with BLE (without Hub)

Select "Without Hub" then the device to pair with and follow the steps to pair.

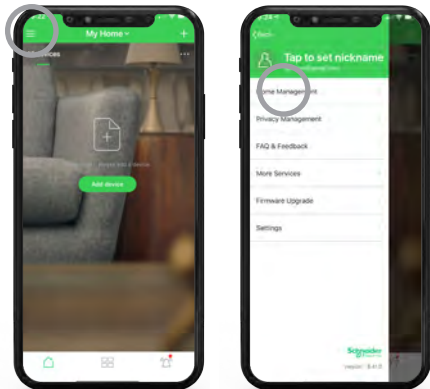


For more information, FAQs and How-to videos, visit <https://www.pdl.co.nz/wiser>

# Wiser Home - Handover Guide

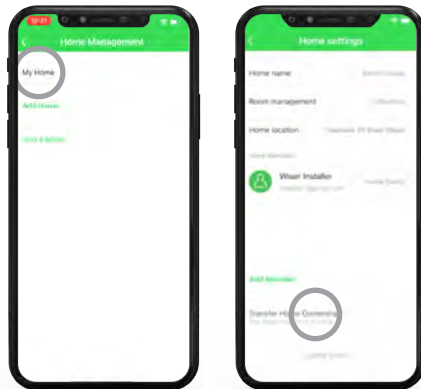
## 1 Select the Wiser Home to handover

Go to Home settings, then Home Management.

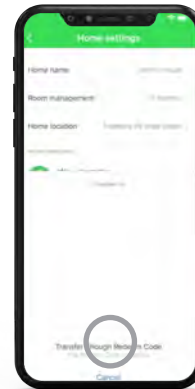


## 2 Transfer Home Ownership

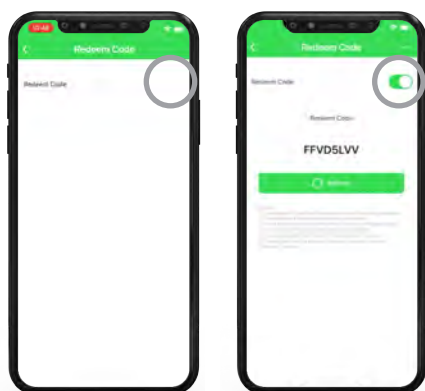
Select the Home, then tap "Transfer Home Ownership".



## 3 Select "Transfer through Redeem Code"

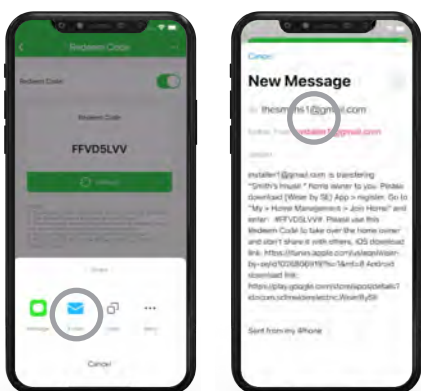


## 4 Activate the Redeem Code



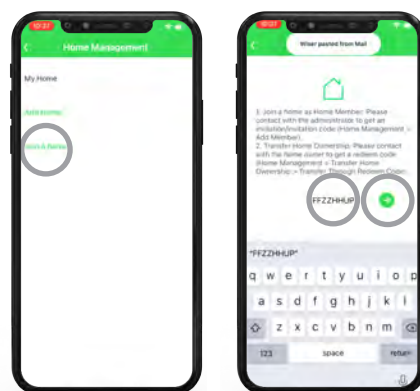
## 5 Share the Redeem Code with end user

SMS, email, or write the Redeem Code on the handover business card provided with the Wiser Hub.



## 6 End user takes ownership

The end users then enters the Redeem Code to take ownership. The Wiser Home is automatically removed from the installers app.



# Wiser System Installation Guide



## BLE (Bluetooth Low Energy)

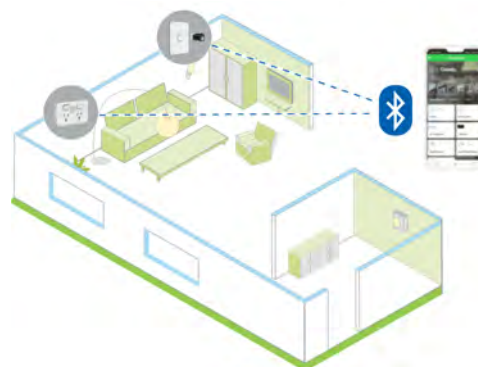
### In-room point-to-point control

When used in a typical brick veneer home BLE offers a wireless range of approximately 5-10 meters and is intended for in-room control only.

### Installation considerations.

Solid brick walls, concrete slab floors (in two-story homes), steel frame homes and steel obstructions such as fridges, microwaves and water heaters may reduce the BLE signal and operating range.

If a longer range is needed, or if control is needed from outside of the home or from other rooms over a longer distance, consider upgrading to Zigbee and connecting to the Wiser Hub.



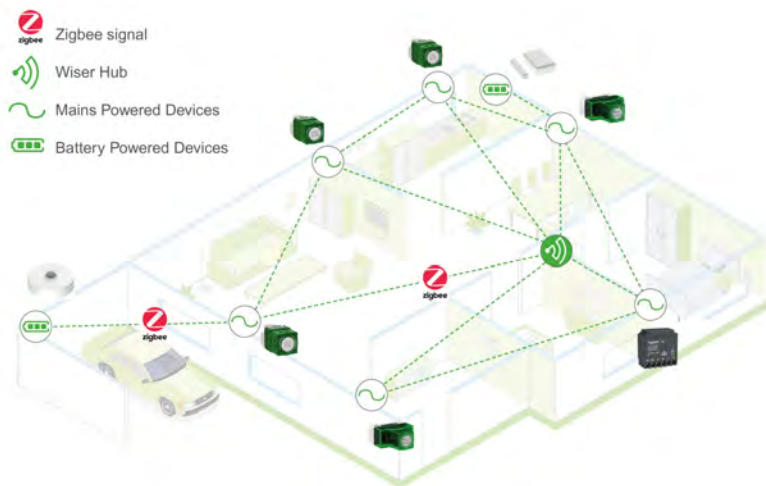
## Zigbee Mesh

### Full home control

When used in a typical brick veneer home, Zigbee offers a wireless range of approximately 5-15 meters between devices. All 240 V AC Wiser Zigbee devices act as routing nodes and will relay the Zigbee signal to extend the wireless range to control a whole home.

### Installation considerations.

- Install the Wiser Hub in a central area for all 240 V AC mains powered devices.
- The Wiser sensors are battery-powered “sleepy-end devices” and are in sleep mode when not activated. These devices do not extend the Zigbee range. There is a limit of 10 per 240 V AC device.
- Limit the mesh system to 60 devices. Add another hub to the system if required.
- Solid brick walls, concrete slab floors (in two-story homes), steel frame homes, and steel obstructions such as fridges, microwaves, and water heaters may reduce the Zigbee signal and operating range.
- Avoid placing the Wiser Hub on top of a WiFi router as the WiFi signal may interfere with Zigbee potentially affecting performance.
- Avoid installing Zigbee devices inside a metal enclosed space such as a shed, as the signal may be reduced and may not reach another 240 V AC Zigbee device.
- To avoid Zigbee performance issues, consider the possible wireless signal obstructions and add in an extra 240 V AC Wiser Zigbee devices to extend the signal range.



Brick walls and concrete may reduce the signal



Avoid installing near steel appliances



Avoid installing in Sheds

## Wiser with Iconic

Iconic is a modern electrical accessories range based on a slim, sleek, clean design that is easy to customise and blends in with your décor.

### Loaded with clever features

**Game changing modular** mechanisms and grids with changeable skins and rockers for unrivalled customisation now and in the future.

**With ControlLink**, lights can be switched or dimmed from multiple locations.

**A locking bar** allows simple mechanism reorientation and sturdy locking for a quick and easy install, limiting the chance of mechanism pushbacks.

### Customisable and future-ready

**Interchangeable standard, Styl and Essence skins** provide great customisable options to suit specific décor and lifestyle.

**Iconic switches** are quick and easy to personalise with pictogram rockers that even your customers can change.

**Clever functionality** with a range of smart, connected products and innovative technology, the platform is designed for future applications.

## Upgrade to ‘Skinability’

Iconic is based around a unique grid design, with a choice of three different ranges of skins that simply clip on.

Once the grids have been installed by an electrician, it's easy for the user to change the skins—simply clip off the existing skin and clip on the new skin in the desired style and colour.

### Iconic

The standard Iconic range of skins offers flexibility with standard white skins and subtle colour variants that blend with interior décors. They are available with translucent edges that infuse with wall colours, or a solid edge vivid white and black option.

### Iconic Styl

Iconic Styl is an irresistibly beautiful design made from durable anodised aluminium for a quality look in every home. Iconic Styl adds elegance, colour and modern simplicity with three metallic finishes to offer flexibility to a broad range of décor styles.

### Iconic Essence

With smooth round wooden edges, Iconic Essence has an unmistakably luxurious look and feel. Setting a new benchmark for quality and style in residential products, the natural finish of Essence will enhance your living space.

### ‘Skinability’

The modular and flexible approach of Iconic makes it easy for your customers to change skins in the future for a fresh new look.





# Green Premium™

An industry leading portfolio of offers delivering sustainable value



More than 75% of our product sales offer superior transparency on the material content, regulatory information and environmental impact of our products:

- RoHS compliance
- REACH substance information
- Industry leading # of PEP's\*
- Circularity instructions



Discover what we mean by green

[Check your products!](#)

The Green Premium program stands for our commitment to deliver customer valued sustainable performance. It has been upgraded with recognized environmental claims and extended to cover all offers including Products, Services and Solutions.

#### CO<sub>2</sub> and P&L impact through... Resource Performance

Green Premium brings improved resource efficiency throughout an asset's lifecycle. This includes efficient use of energy and natural resources, along with the minimization of CO<sub>2</sub> emissions.

#### Cost of ownership optimization through... Circular Performance

We're helping our customers optimize the total cost of ownership of their assets. To do this, we provide IoT-enabled solutions, as well as upgrade, repair, retrofit, and remanufacture services.

#### Peace of mind through... Well-being Performance

Green Premium products are RoHS and REACH compliant. We're going beyond regulatory compliance with step-by-step substitution of certain materials and substances from our products.

#### Improved sales through... Differentiation

Green Premium delivers strong value propositions through third-party labels and services. By collaborating with third-party organizations we can support our customers in meeting their sustainability goals such as green building certifications.

\*PEP: Product Environmental Profile (i.e. Environmental Product Declaration)

Wiser™



Smart and Sustainable Homes



For more information about the Wiser™ range, contact your local PDL and Schneider Electric sales Representative, electrical wholesaler, or visit [pdl.co.nz/wiser](http://pdl.co.nz/wiser)

**Schneider Electric (NZ) Ltd.**  
Building 6, 60 Highbrook Drive,  
East Tamaka, Auckland, 2013

**Customer Care**  
Phone: 0800 652 999  
(7.30 am to 5:30 pm Mon to Fri)


**Technical Support**  
Phone: 0800 652 999  
(7:30 am to 5 pm Mon to Fri)

10-2022  
©2022 Schneider Electric. All Rights Reserved.  
JYT1306900\_02

[pdl.co.nz/support](http://pdl.co.nz/support)

[pdl.co.nz/wiser](http://pdl.co.nz/wiser)

Life Is  On

**Schneider**  
 Electric